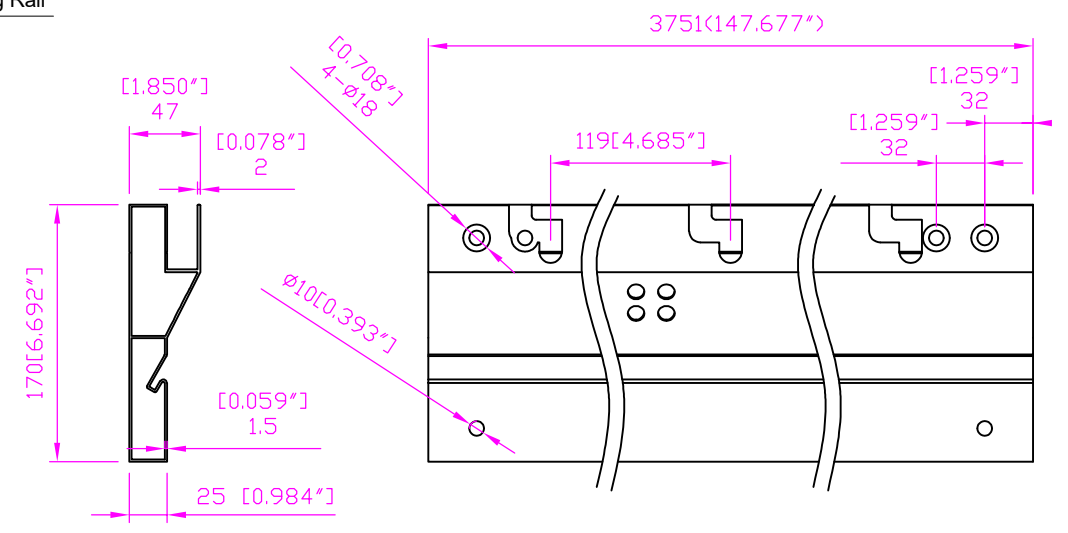
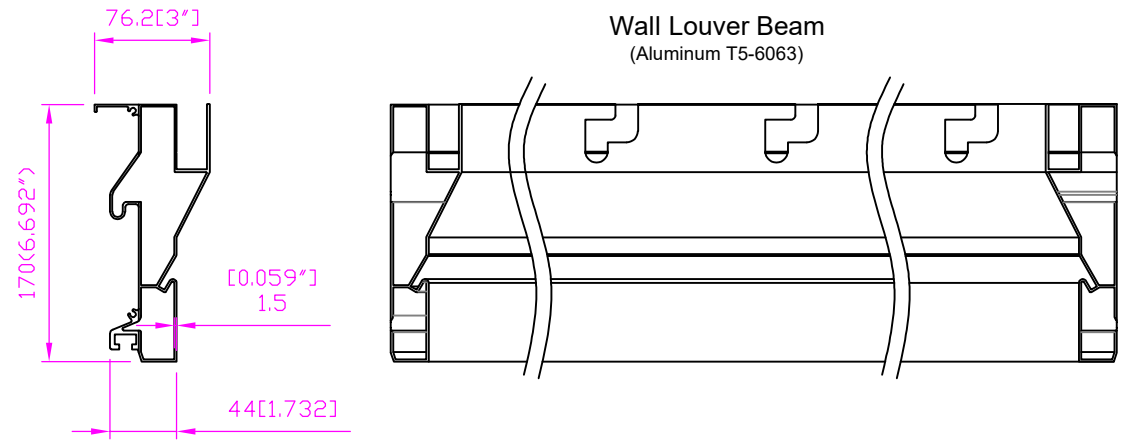


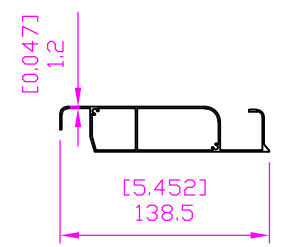
Louver Beam
(Aluminum T5-6063)



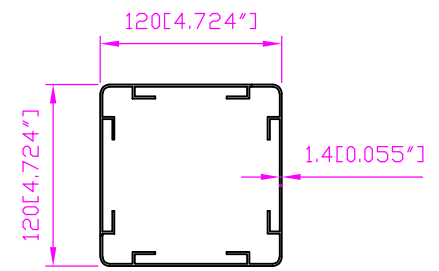
Wall Louver Beam
(Aluminum T5-6063)

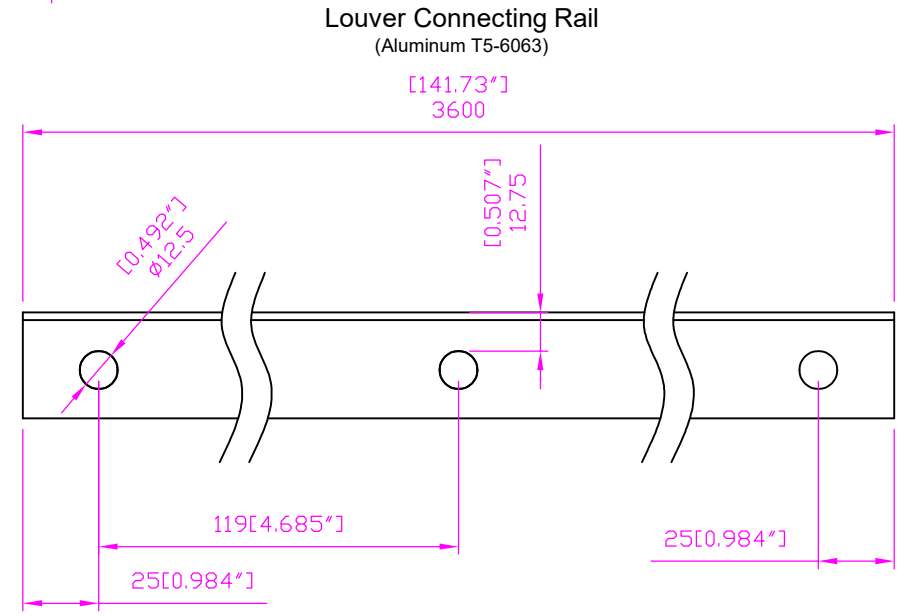
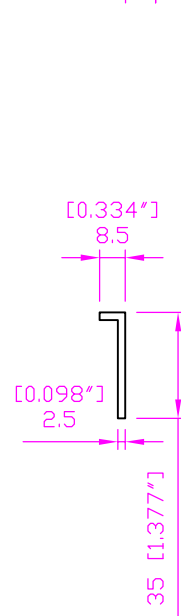
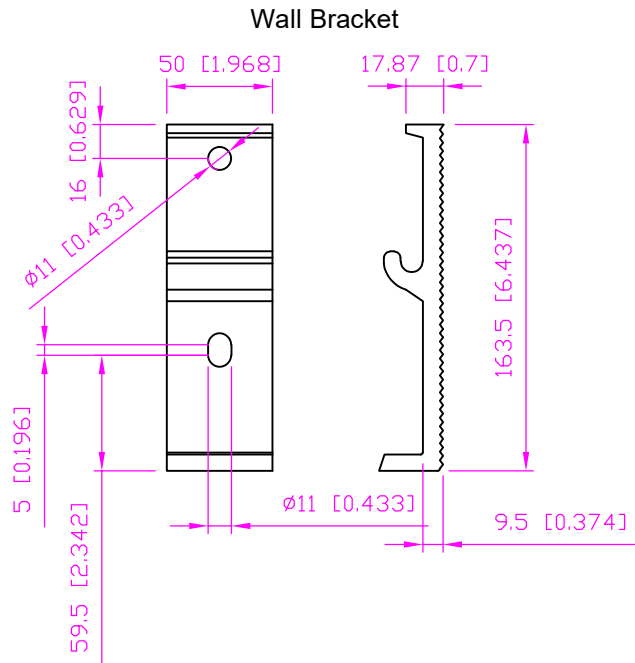
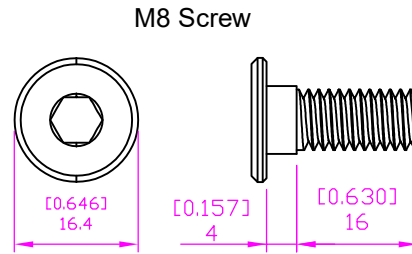
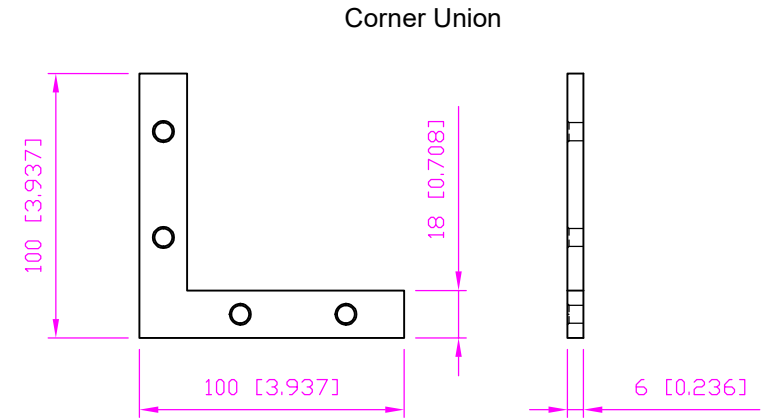
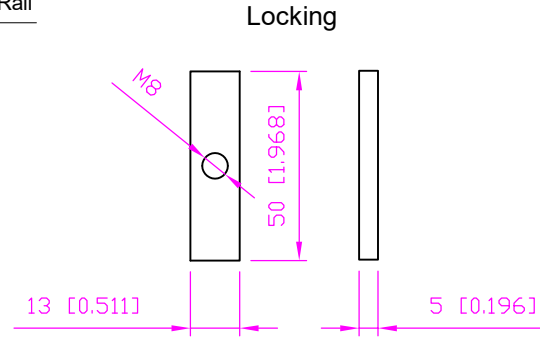
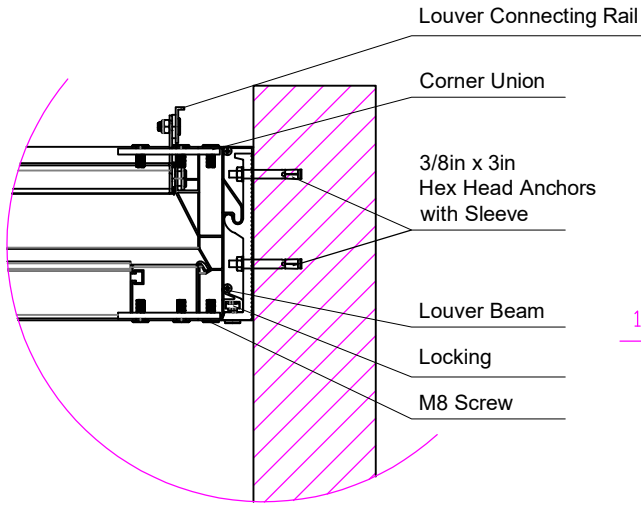


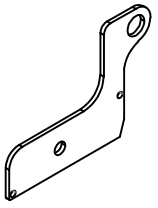
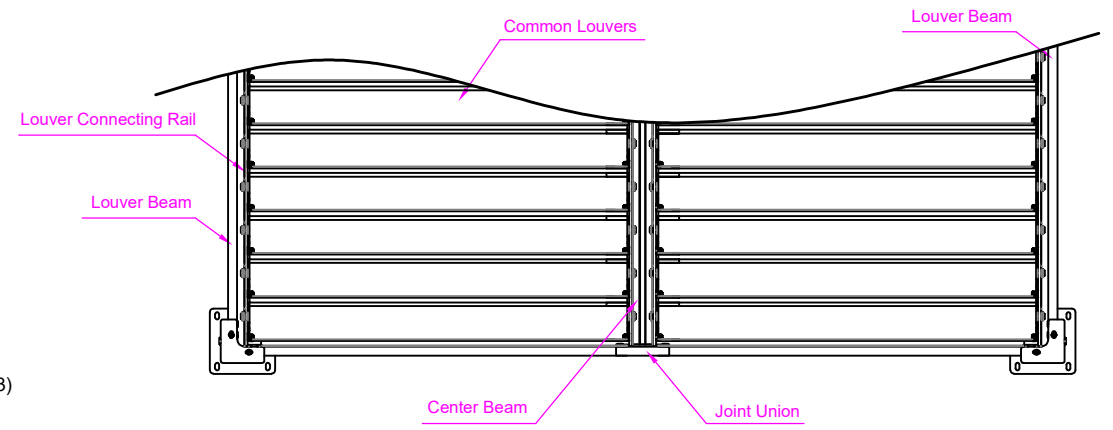
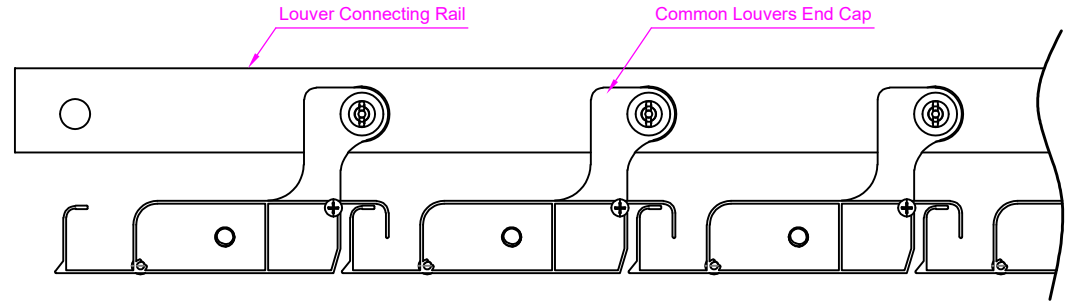
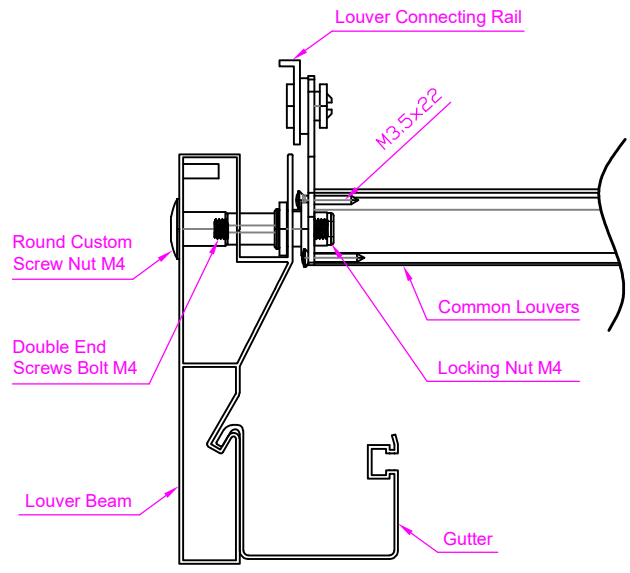
Common Louvers
(Aluminum T5-6063)



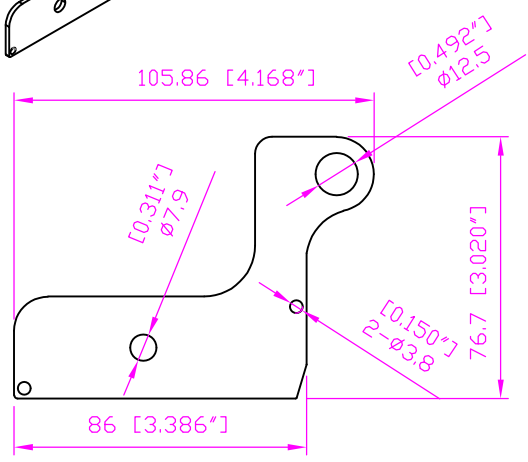
Pillar
(Aluminum T5-6063)



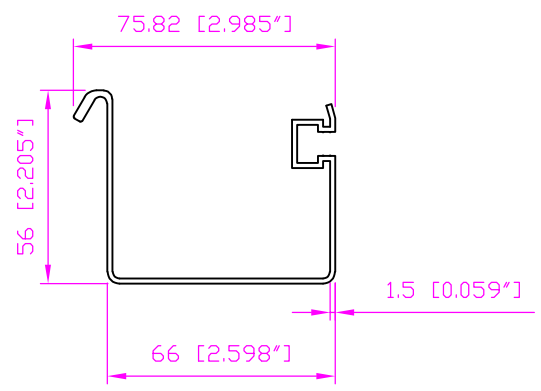


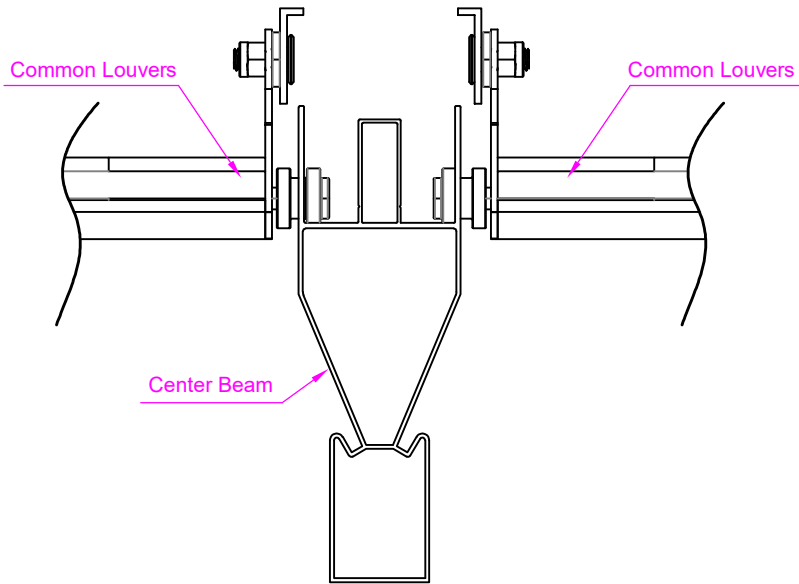


Common Louvers End Cap

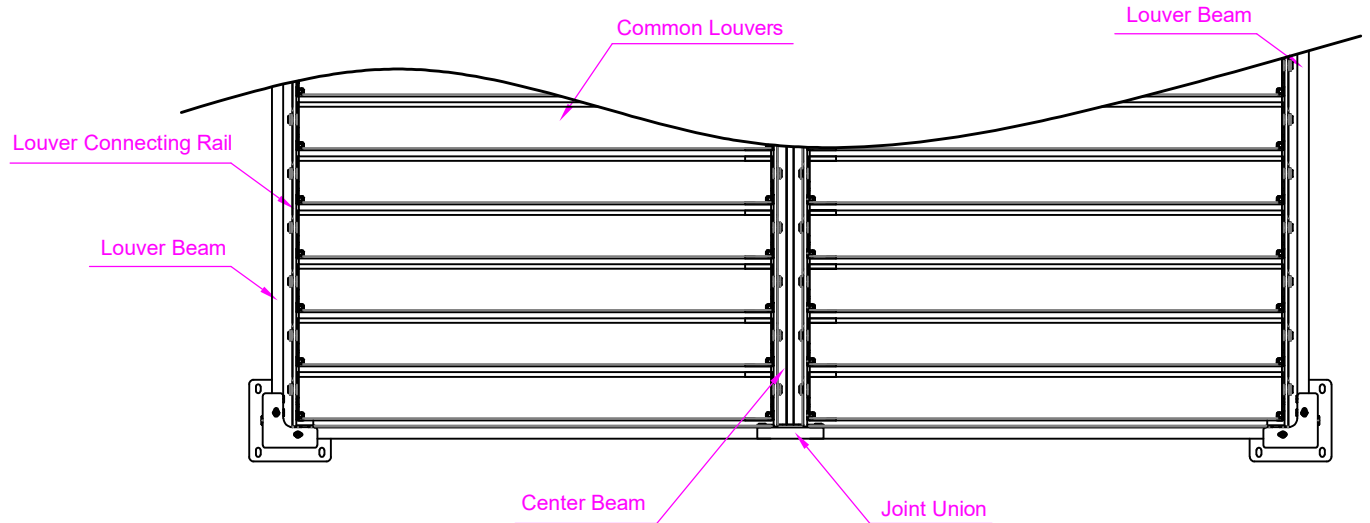
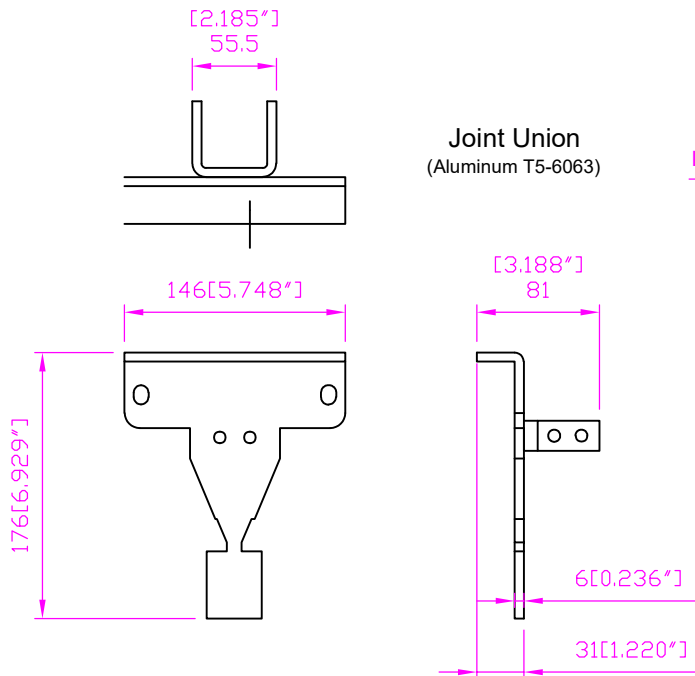
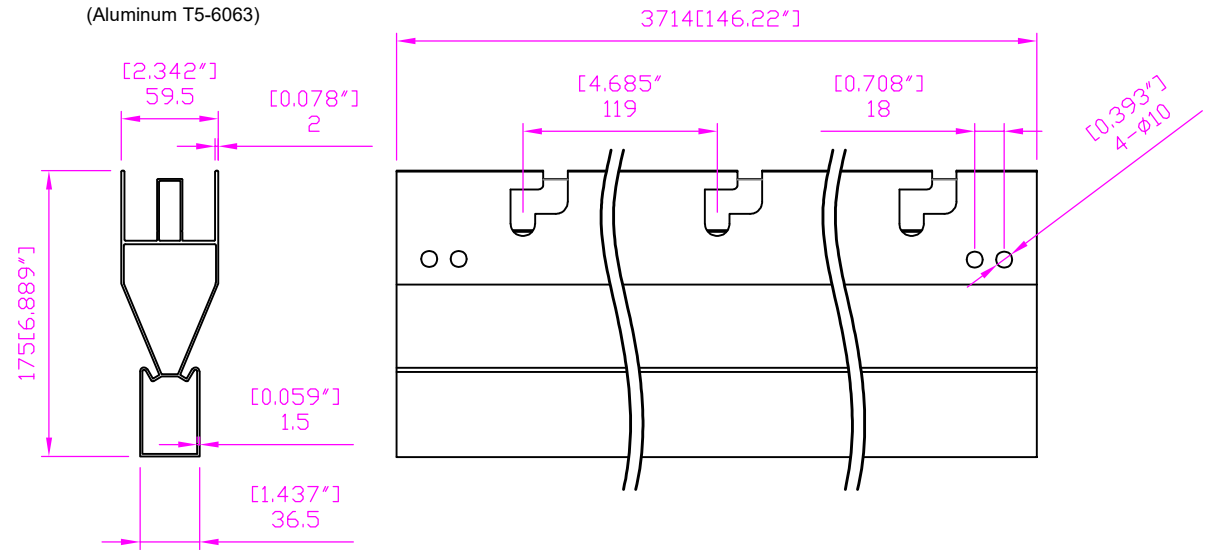


Gutter
(Aluminum T5-6063)





Center Beam
(Aluminum T5-6063)

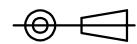


BON PERGOLA

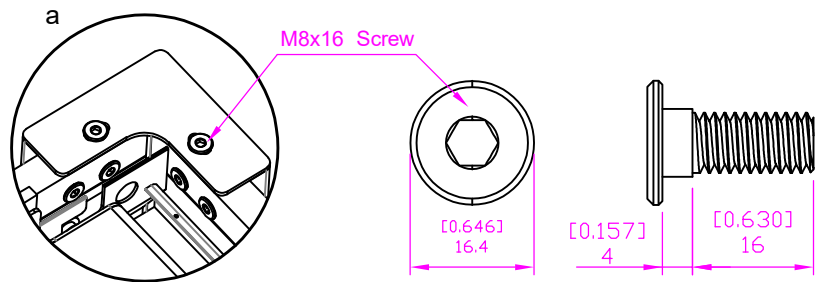
UNIT
inch / mm

A4

DATE
2024/04/24

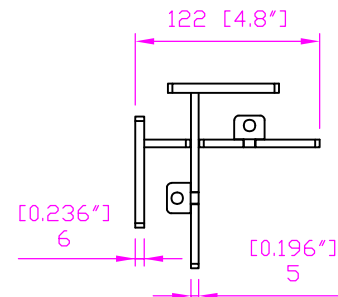
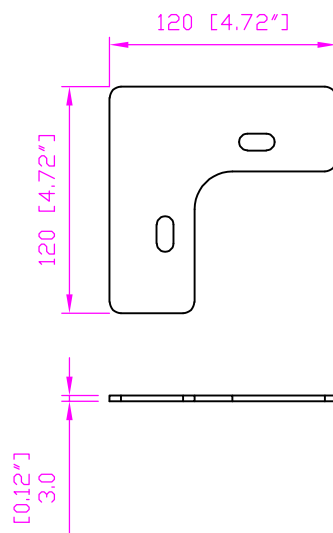


p. 4/6

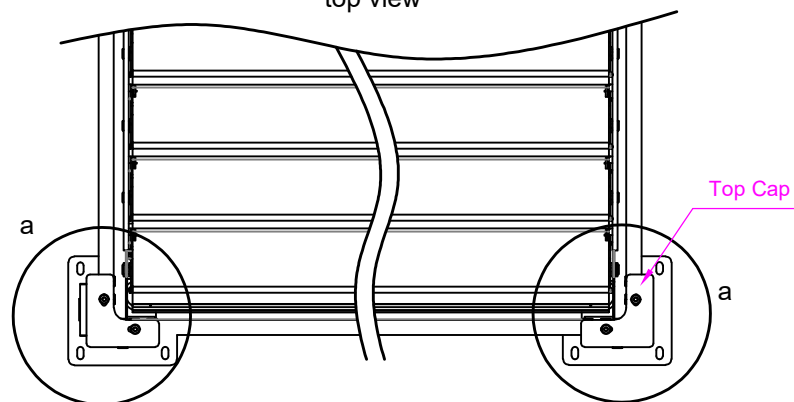
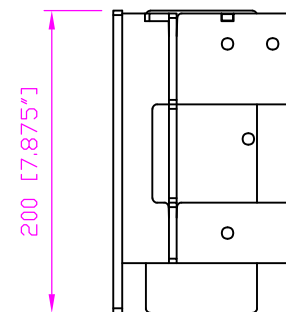
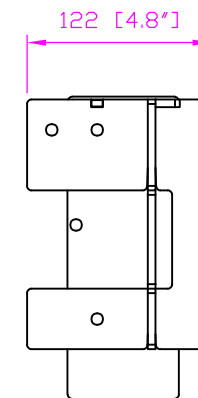


top view

Top Cap
(Steel Q235B)

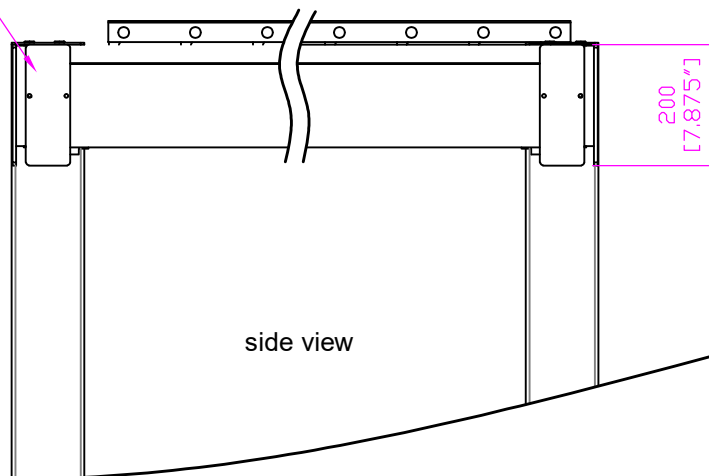


Corner Union
(Steel Q235B)



front view

Common Louvers



side view

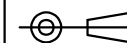


BON PERGOLA

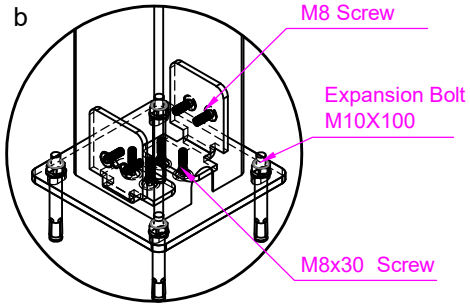
UNIT
inch / mm

A4

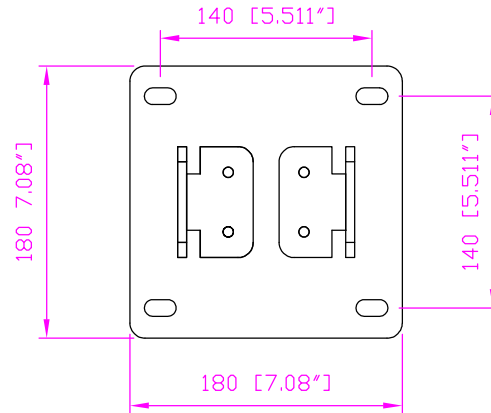
DATE
2024/04/24



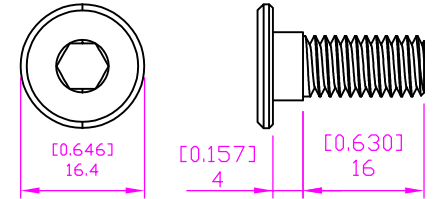
p. 5/6



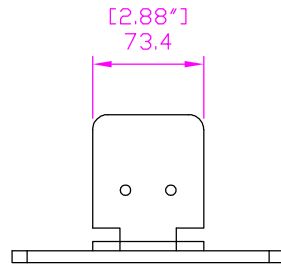
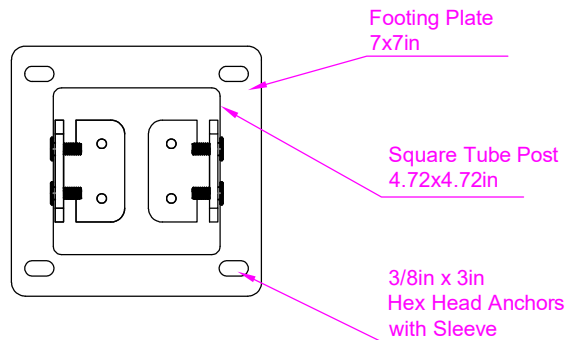
Footing Plate
(Steel Q235B)



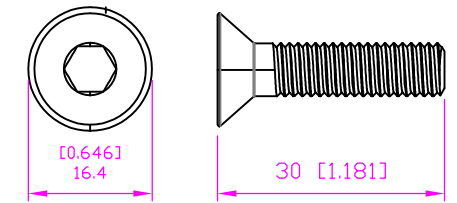
M8 Screw



Pillar Attachment



M8x30 Screw



Hex Head Anchors with Sleeve

