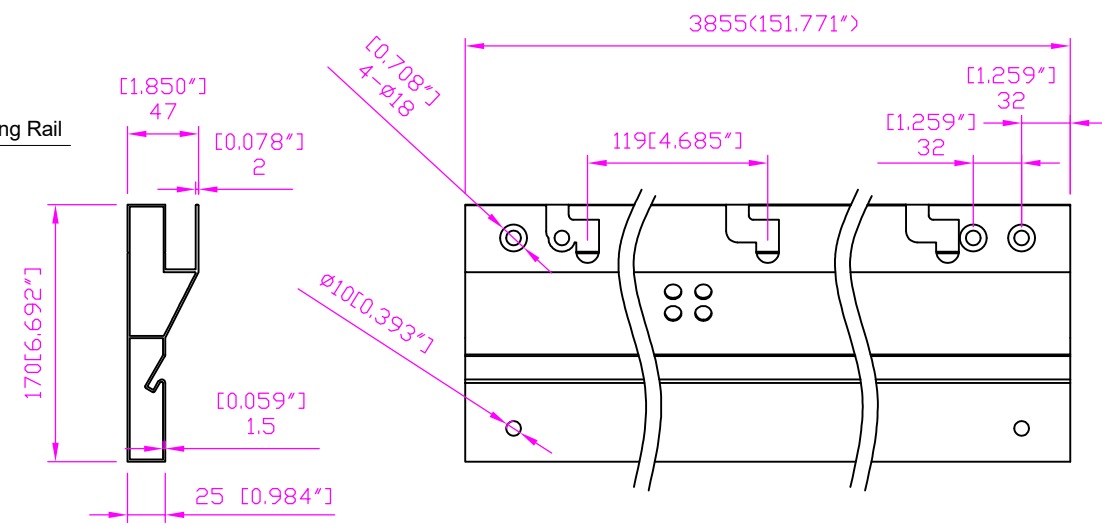
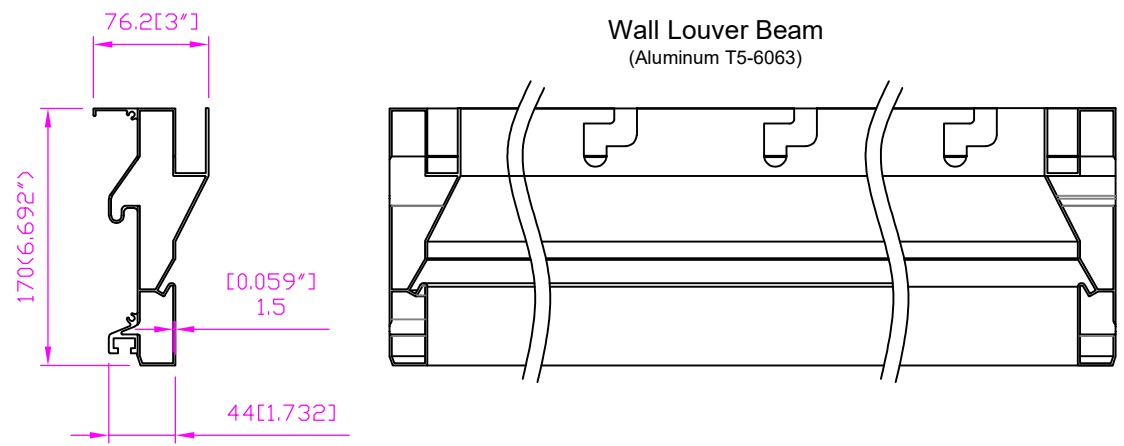


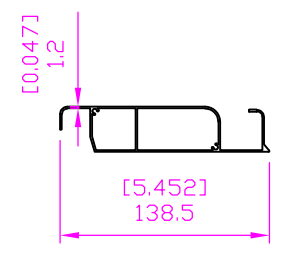
Louver Beam
(Aluminum T5-6063)



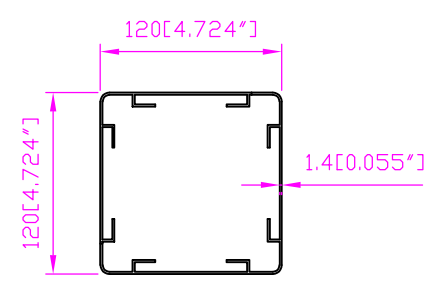
Wall Louver Beam
(Aluminum T5-6063)

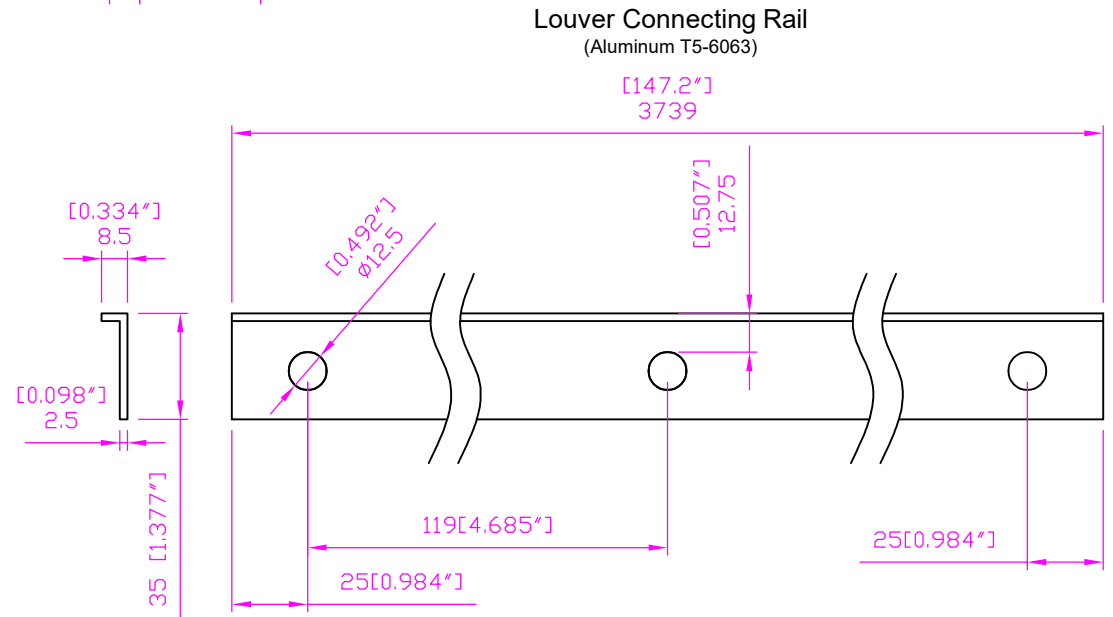
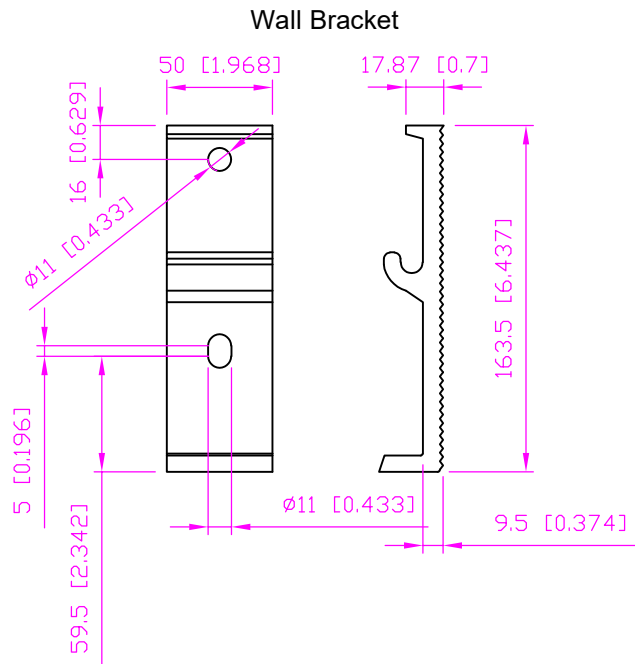
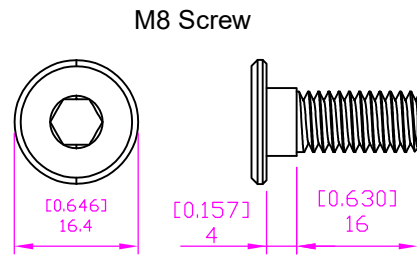
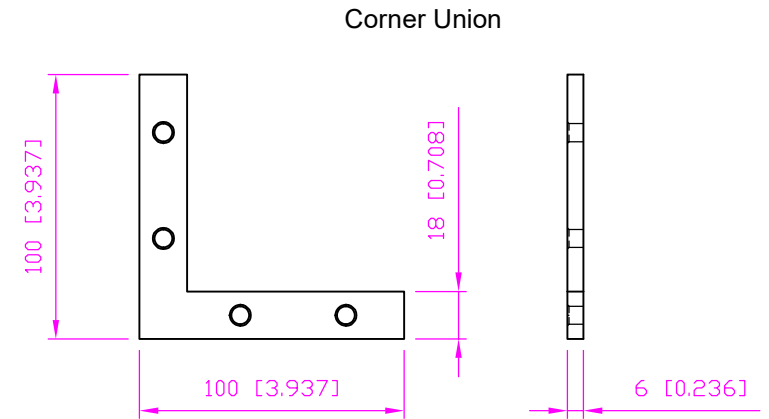
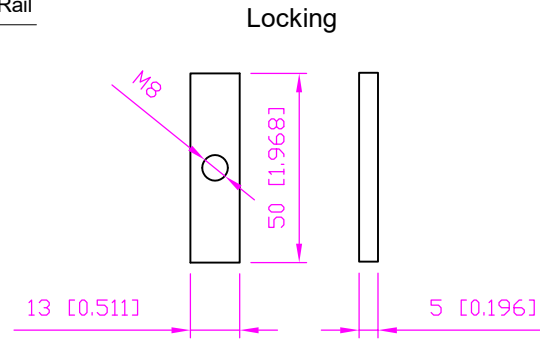
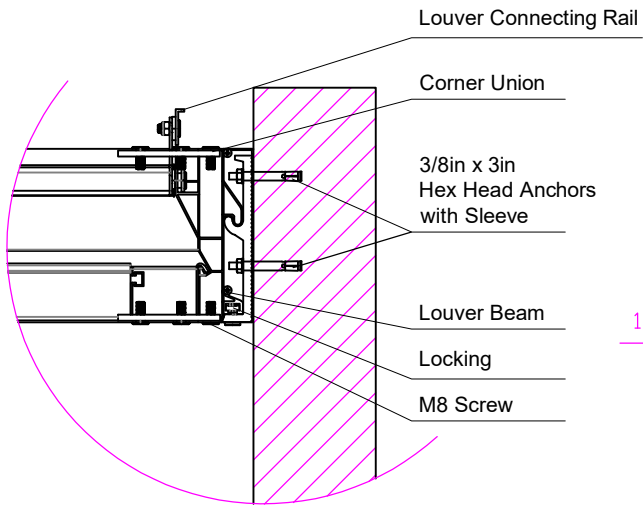


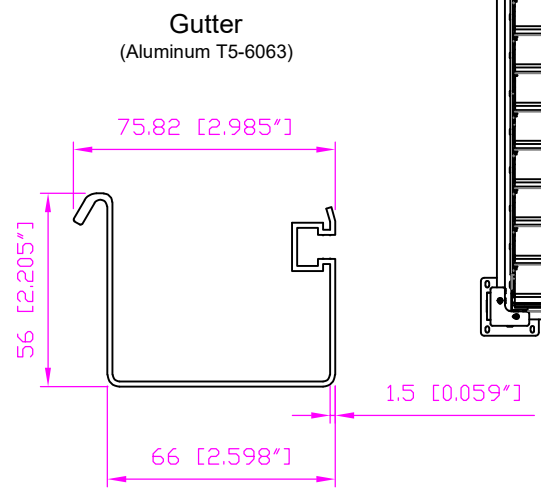
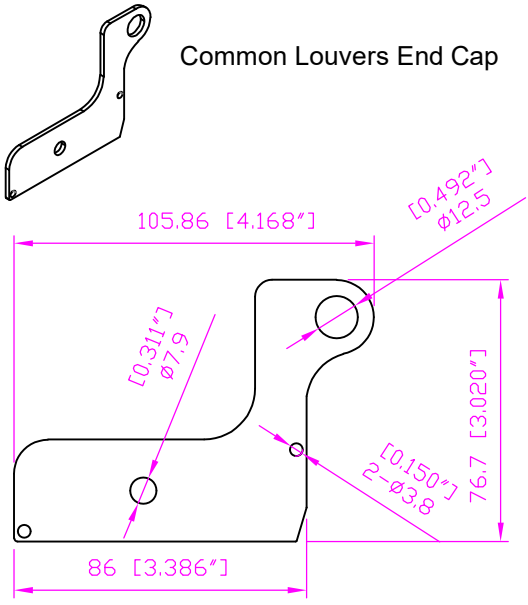
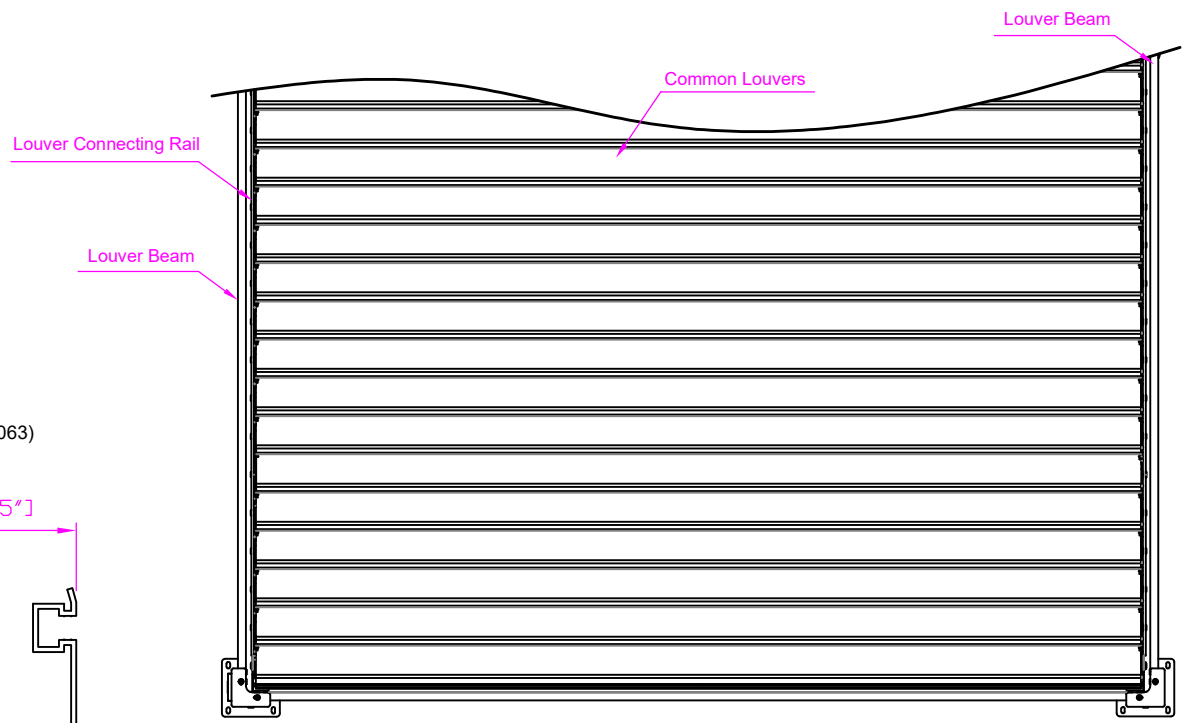
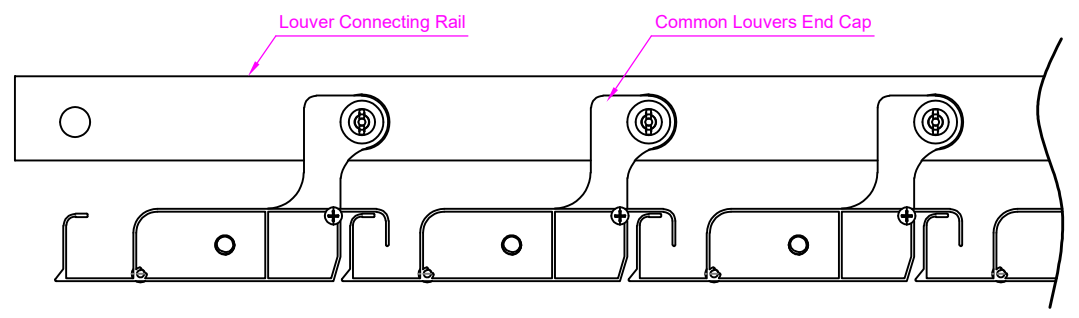
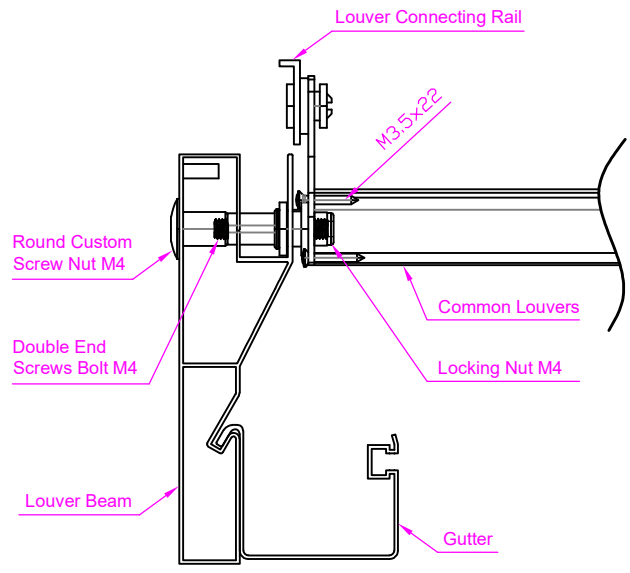
Common Louvers
(Aluminum T5-6063)

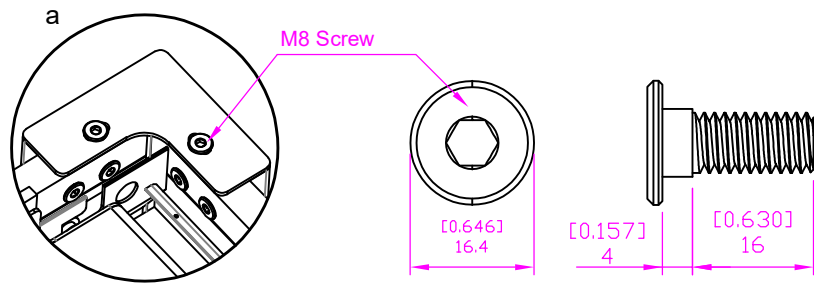


Pillar
(Aluminum T5-6063)



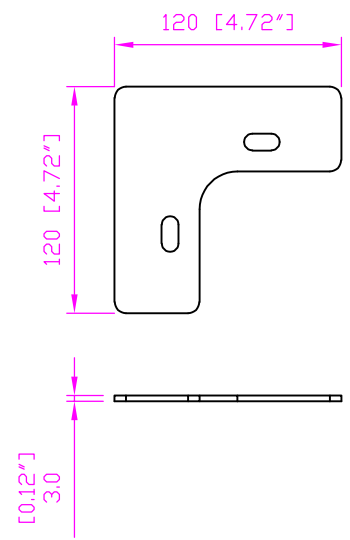




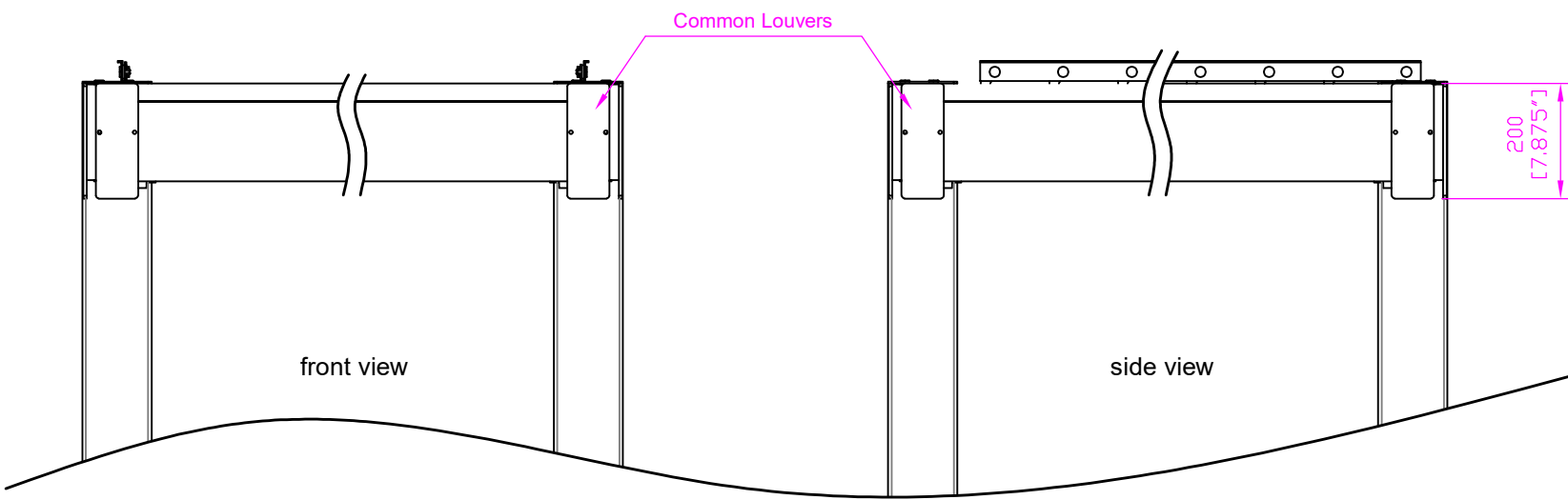
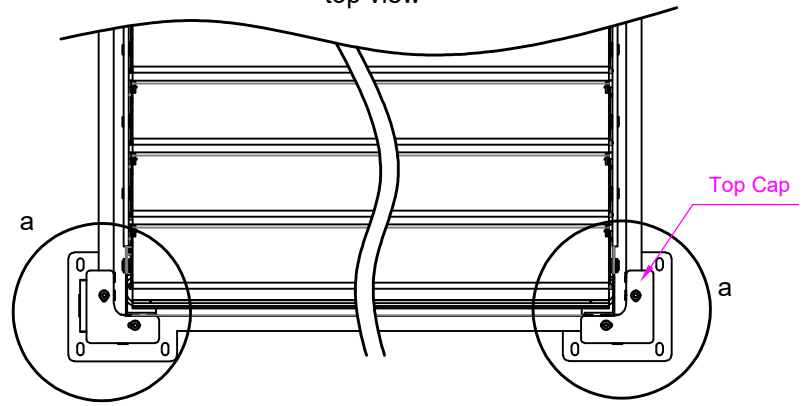
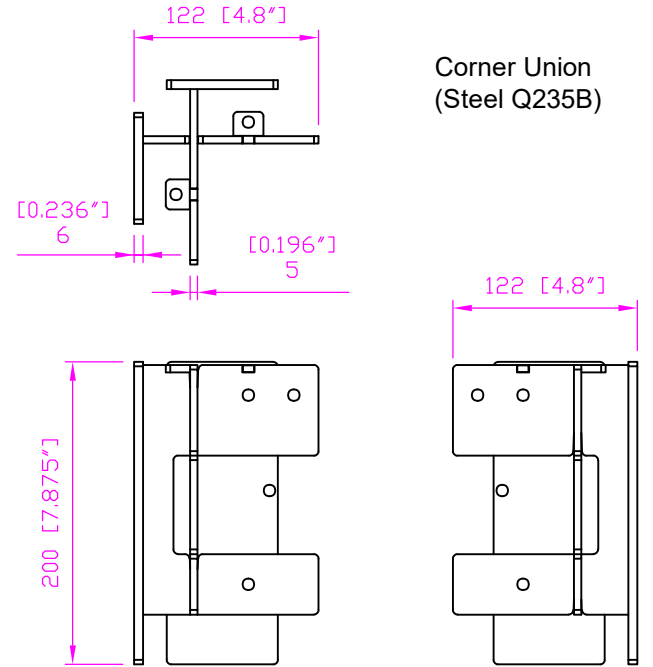


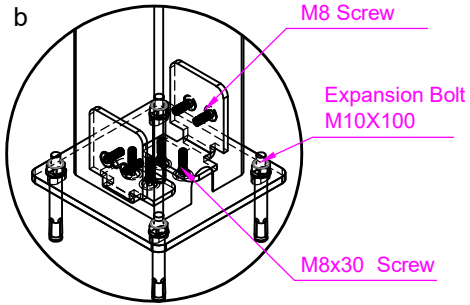
top view

Top Cap
(Steel Q235B)

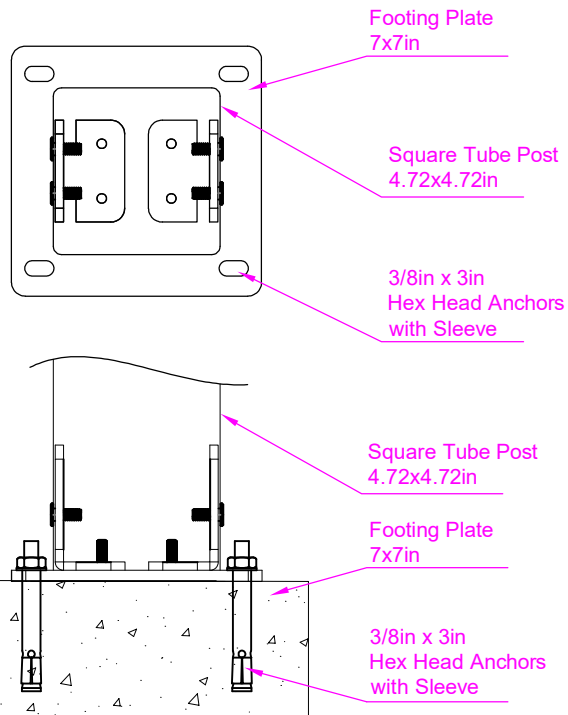


Corner Union
(Steel Q235B)

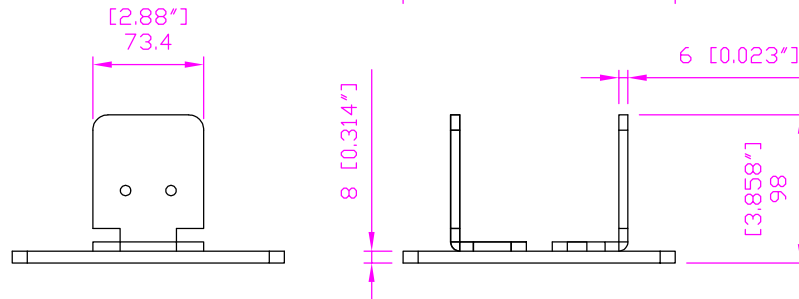
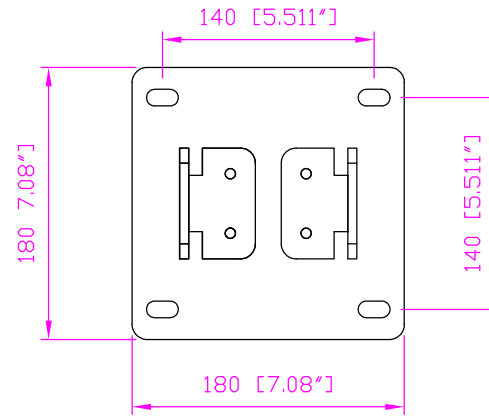




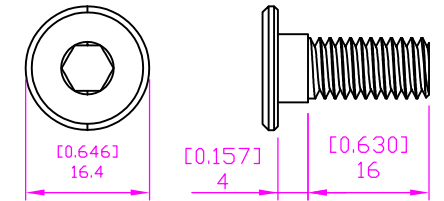
Pillar Attachment



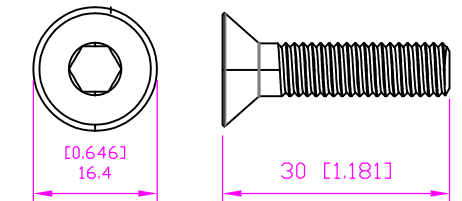
**Footing Plate
(Steel Q235B)**



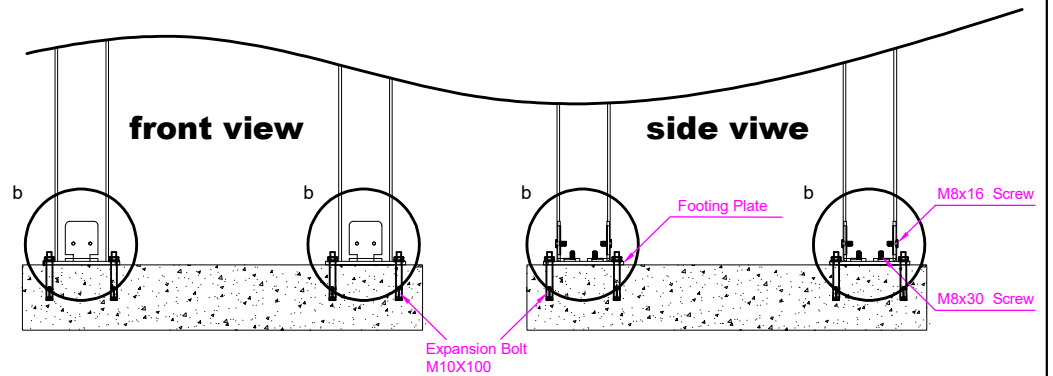
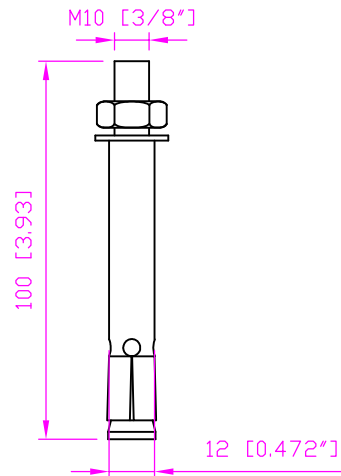
M8 Screw



M8x30 Screw



Hex Head Anchors with Sleeve

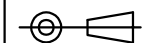


BON PERGOLA

UNIT
inch / mm

A4

DATE
2024/04/24



p. 5/5