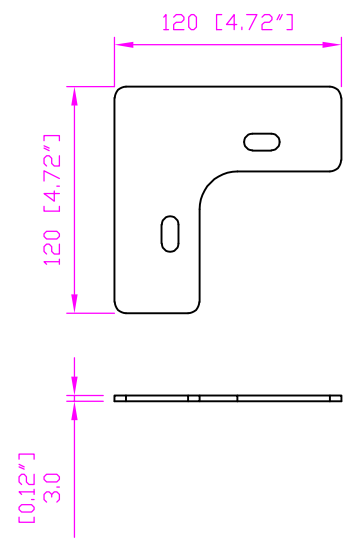
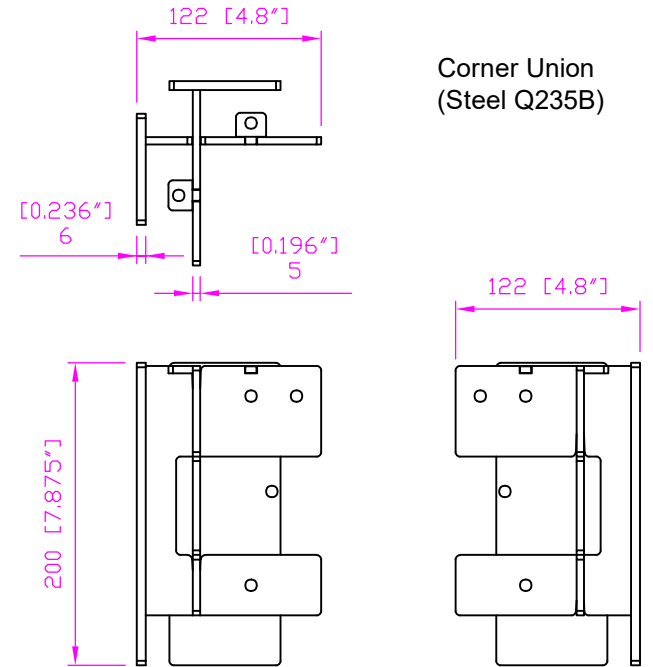


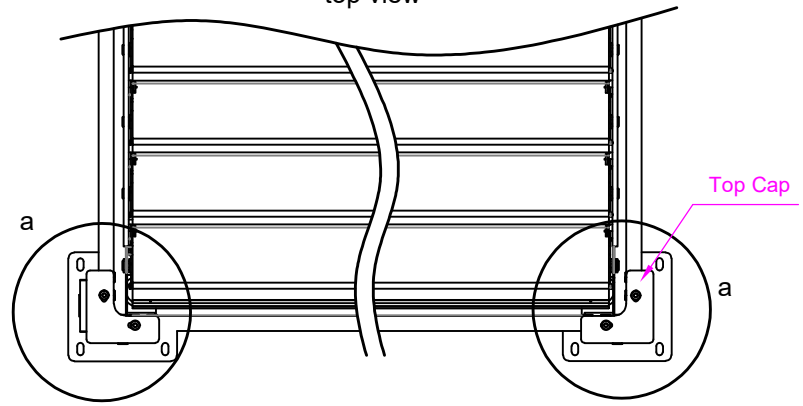
Top Cap
(Steel Q235B)



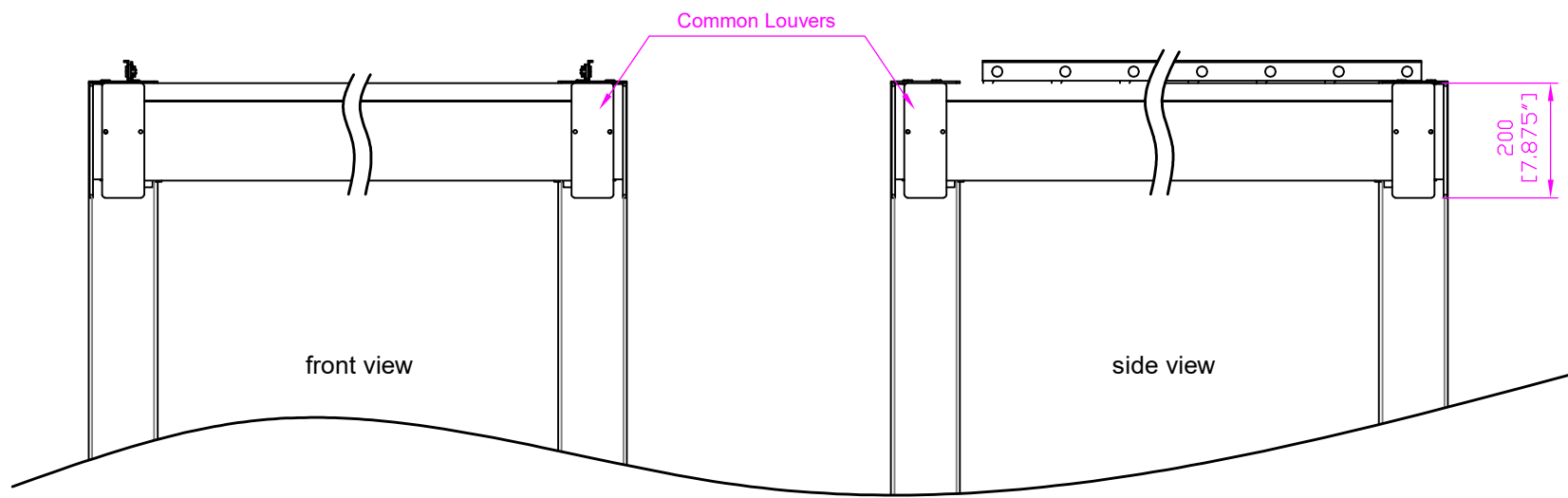
Corner Union
(Steel Q235B)

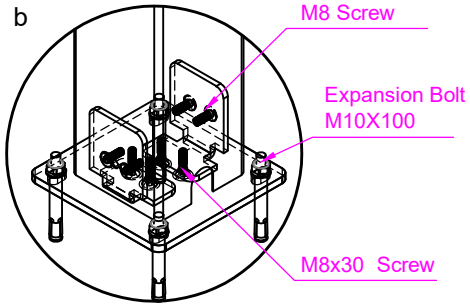


top view

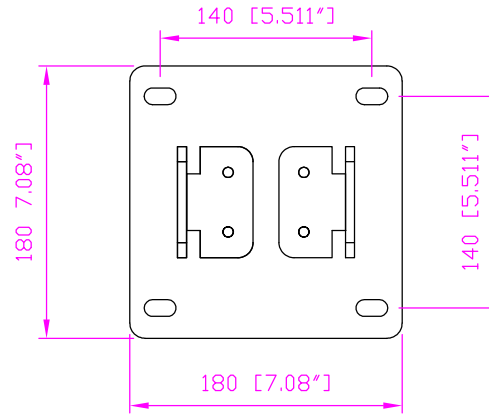


front view

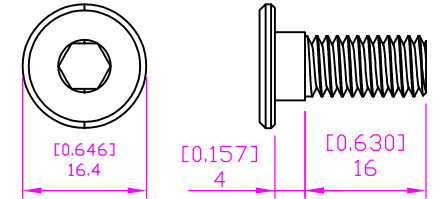




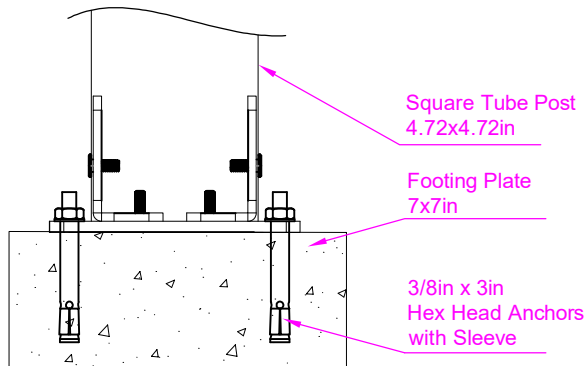
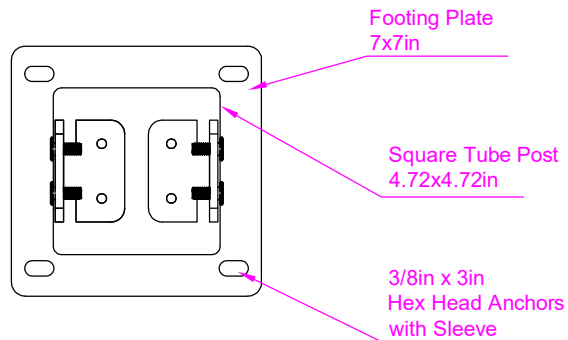
Footing Plate
(Steel Q235B)



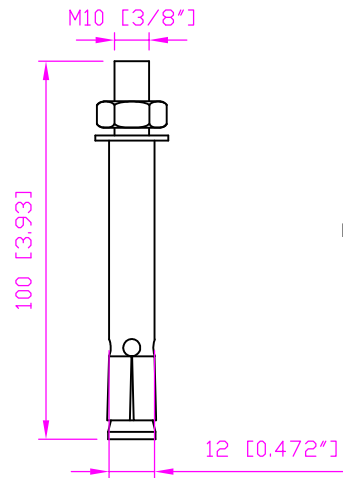
M8 Screw



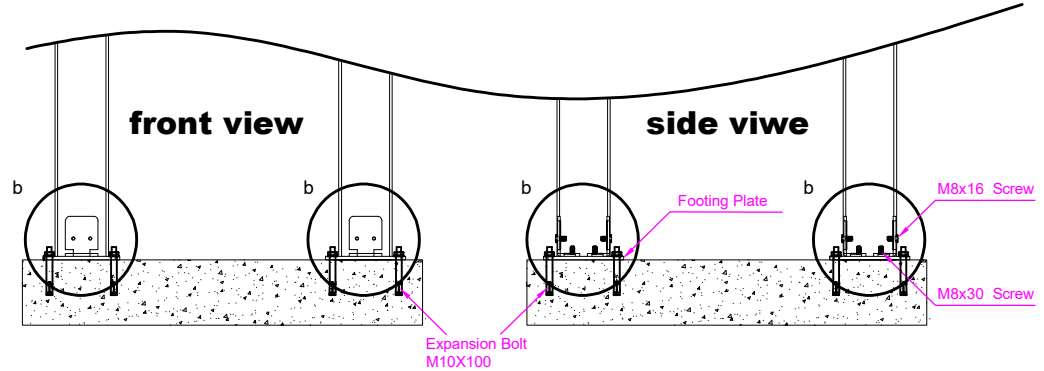
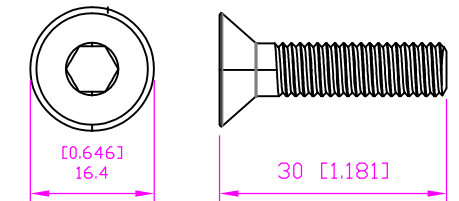
Pillar Attachment



Hex Head Anchors with Sleeve



M8x30 Screw

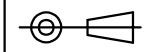


BON PERGOLA

UNIT
inch / mm

A4

DATE
2024/04/24



p. 5/5