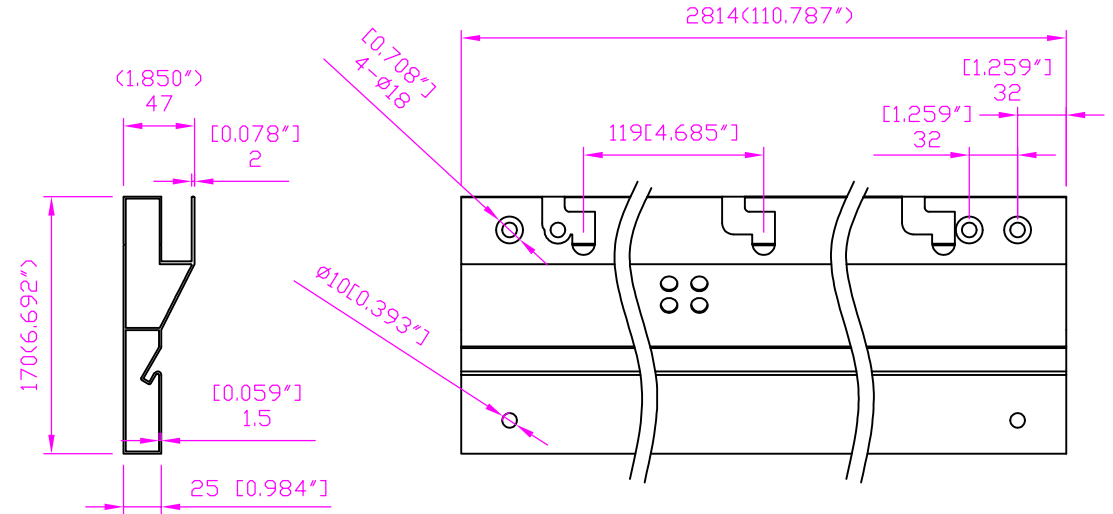
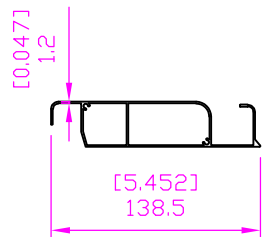


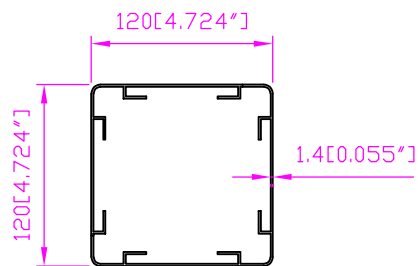
Louver Beam
(Aluminum T5-6063)



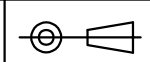
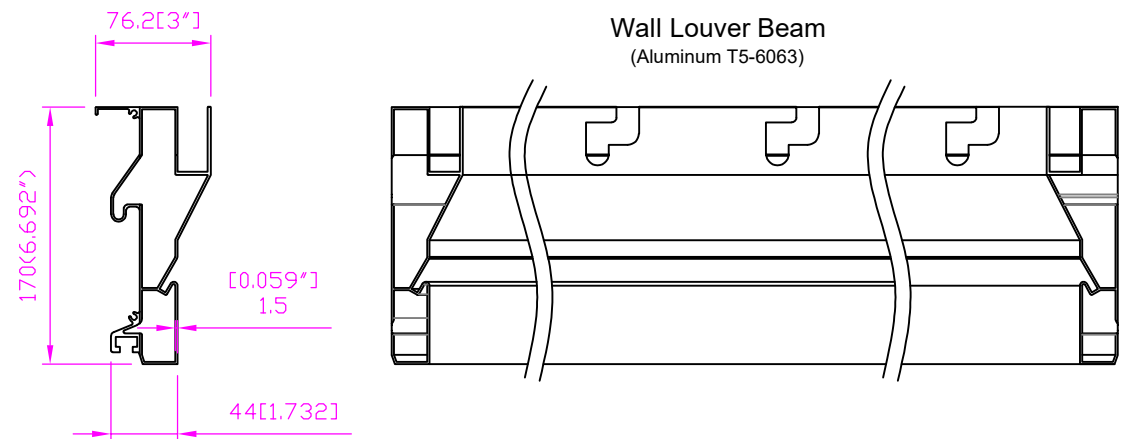
Common Louvers
(Aluminum T5-6063)

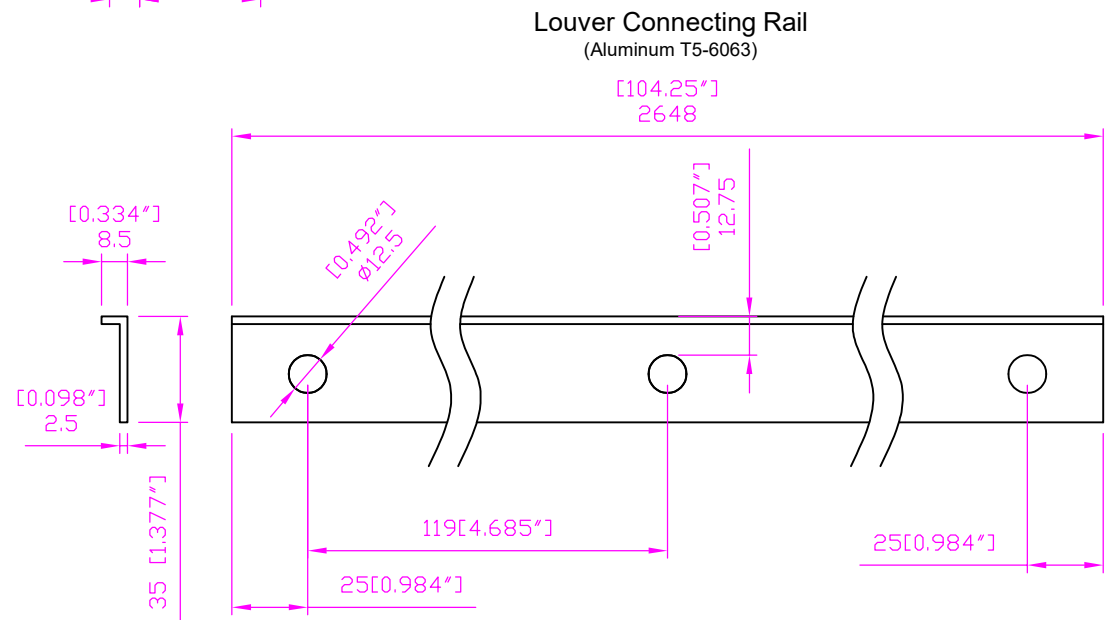
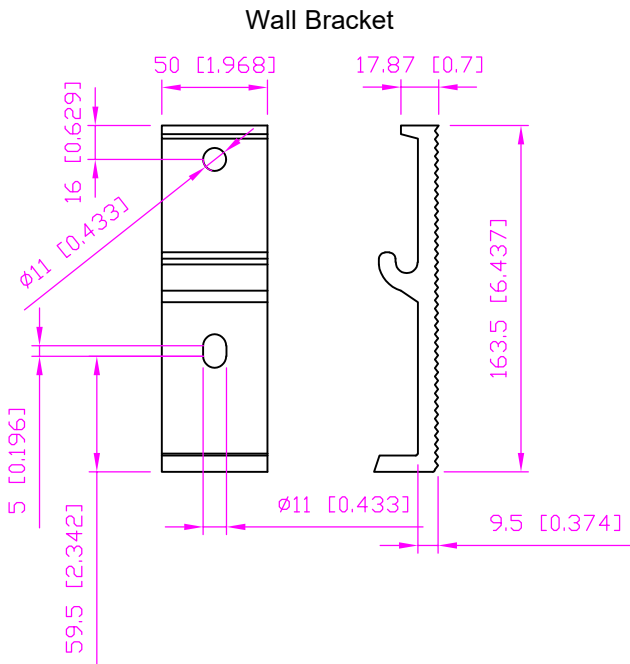
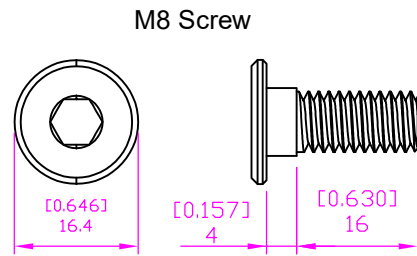
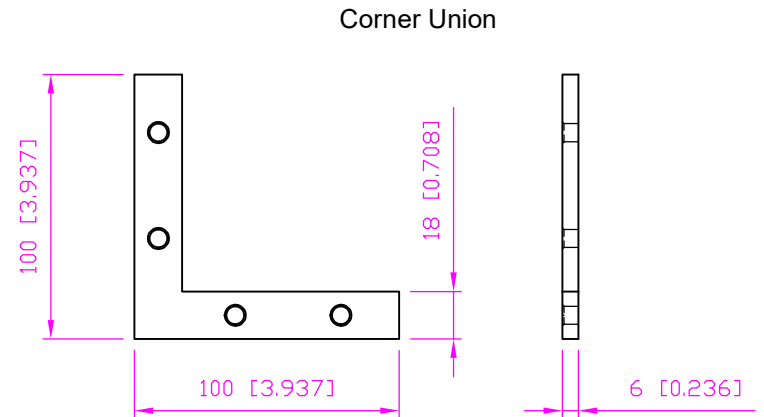
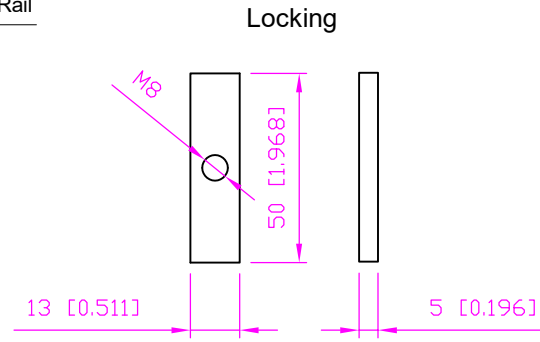
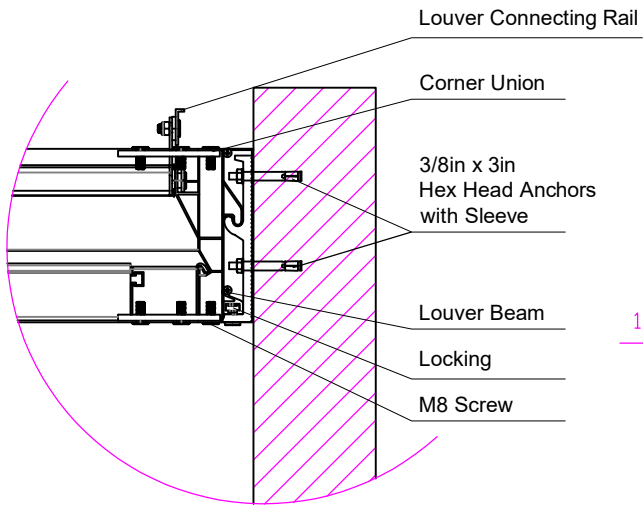


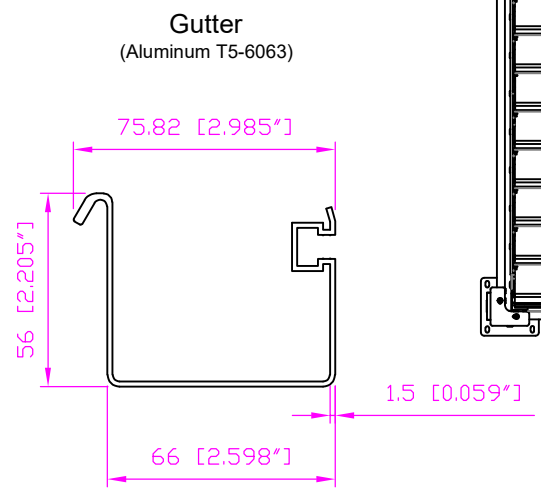
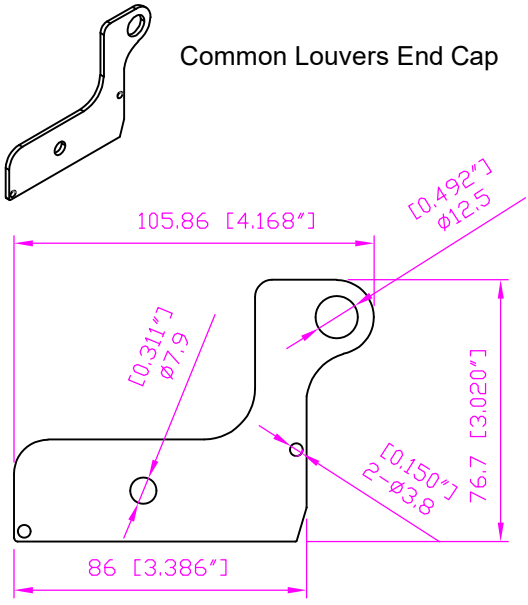
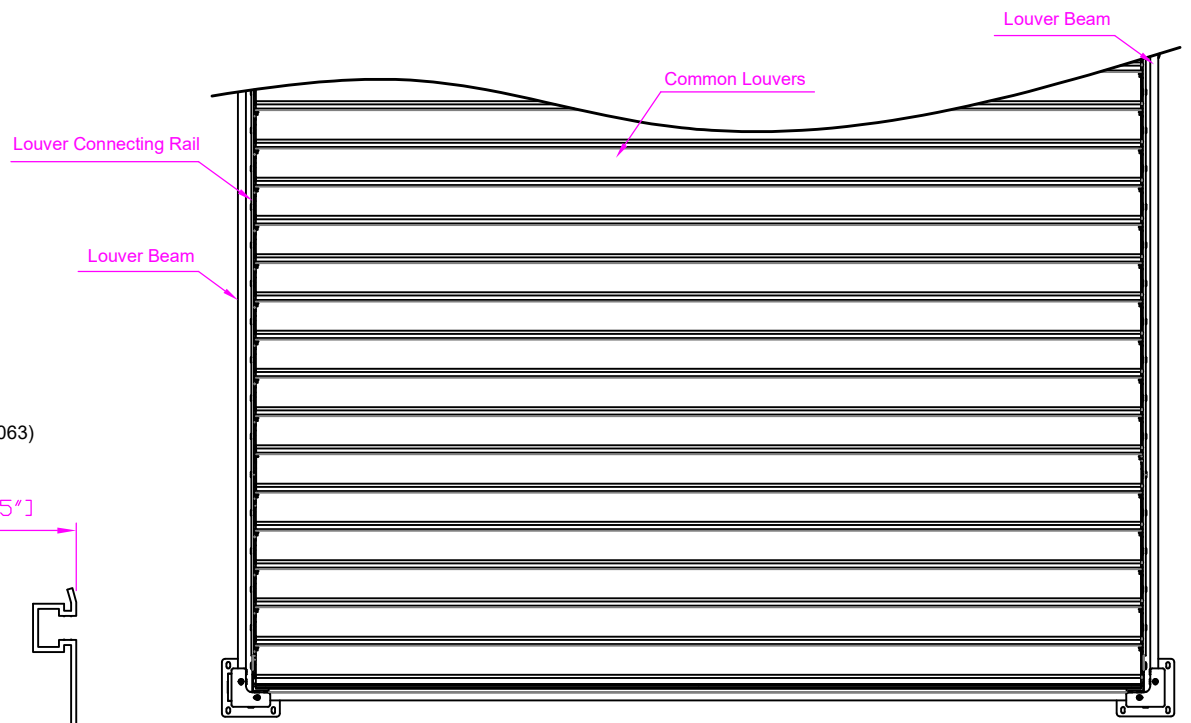
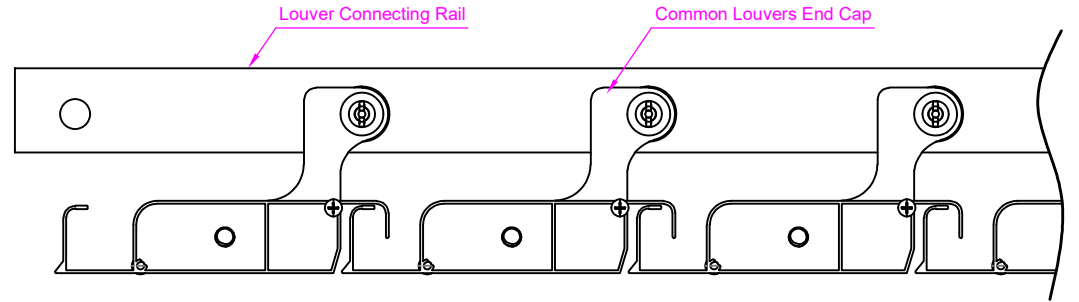
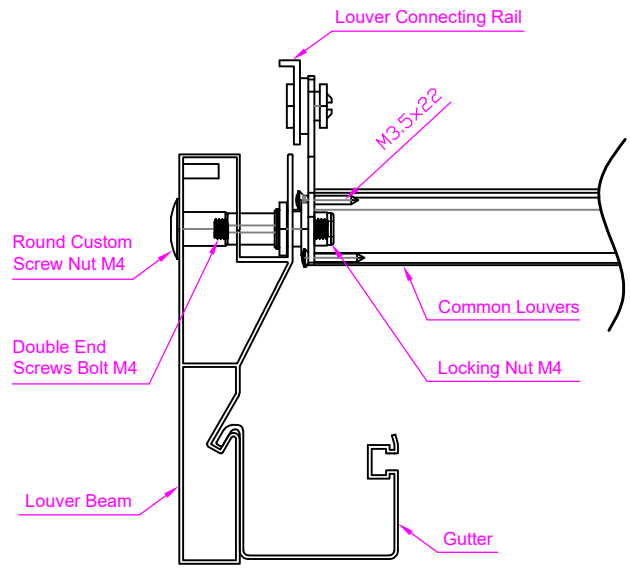
Pillar
(Aluminum T5-6063)

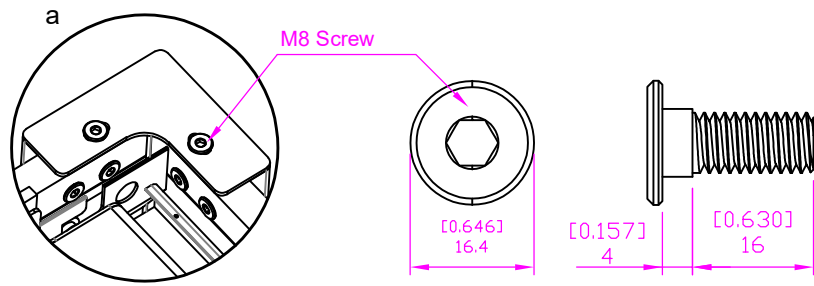


Wall Louver Beam
(Aluminum T5-6063)

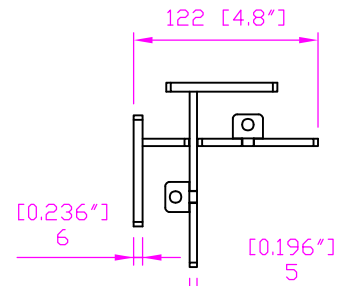
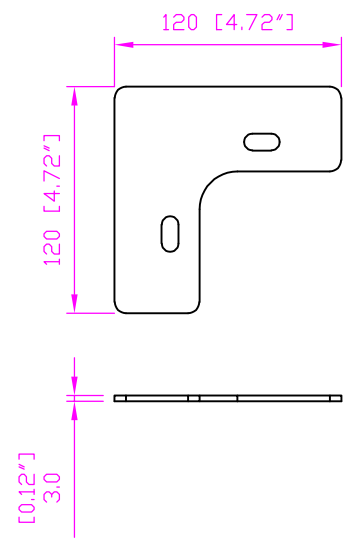




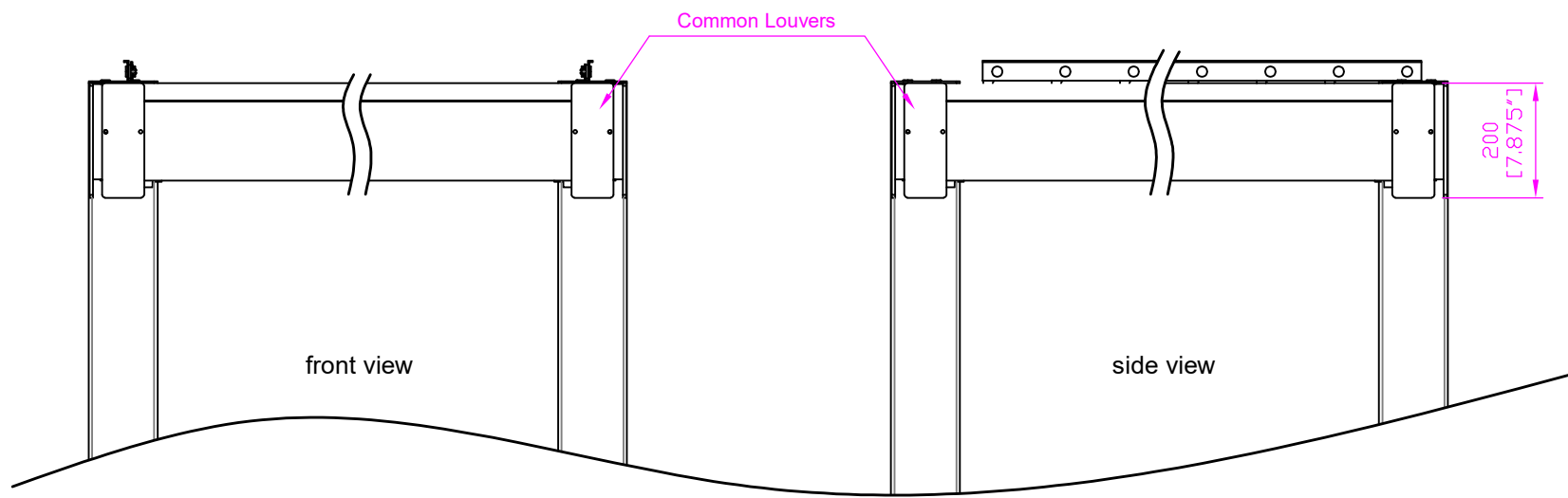
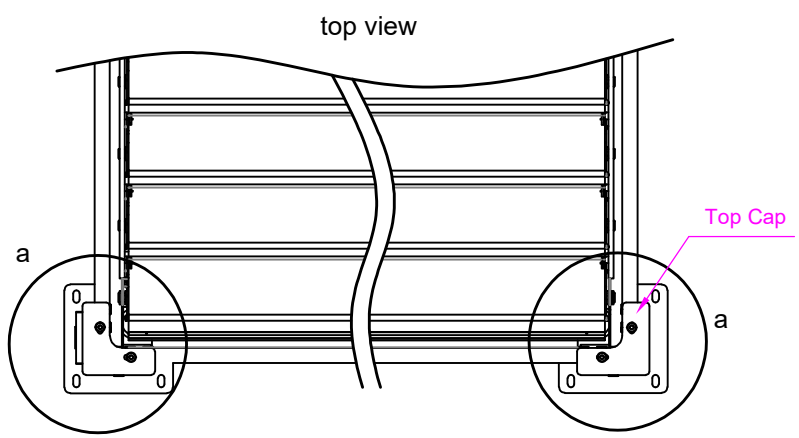
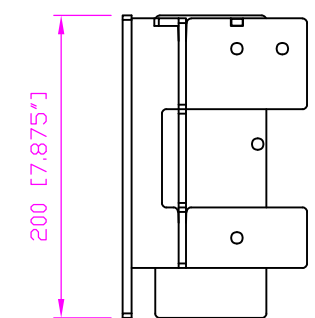
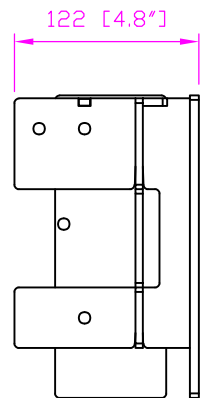


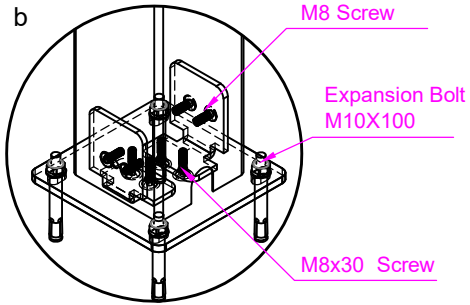


Top Cap
(Steel Q235B)

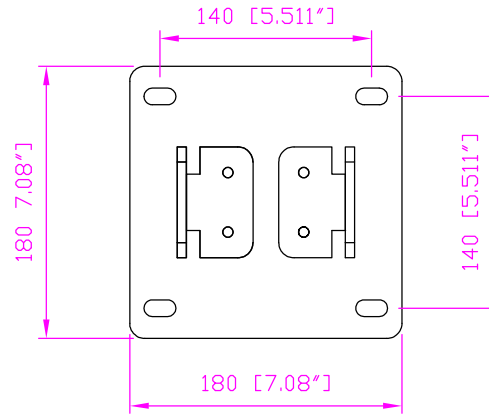


Corner Union
(Steel Q235B)

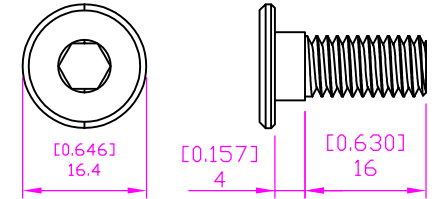




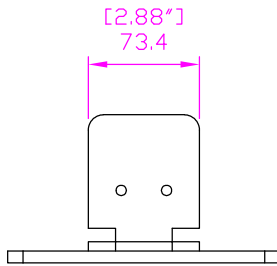
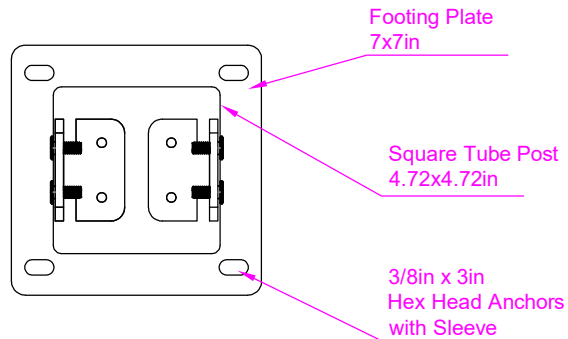
Footing Plate
(Steel Q235B)



M8 Screw

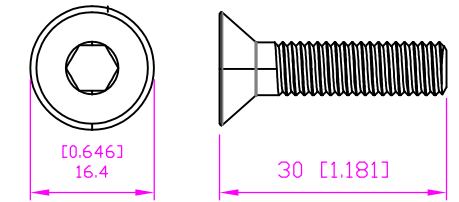


Pillar Attachment

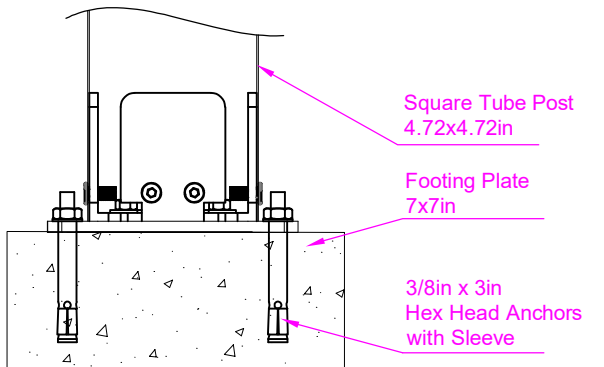
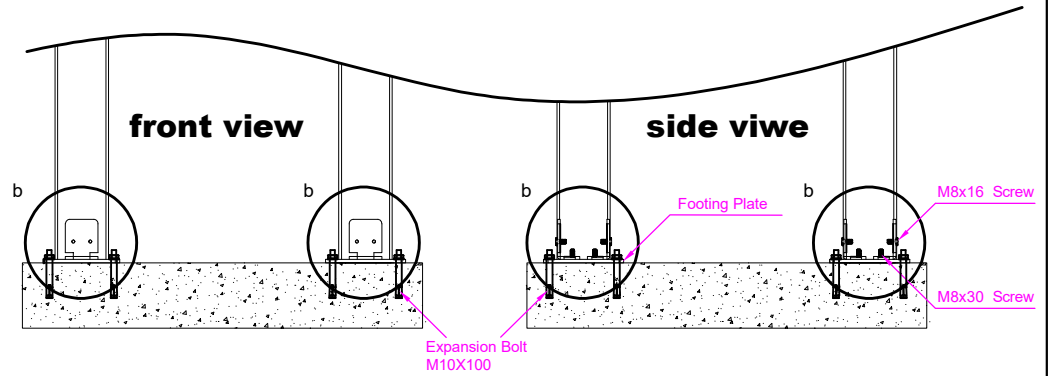
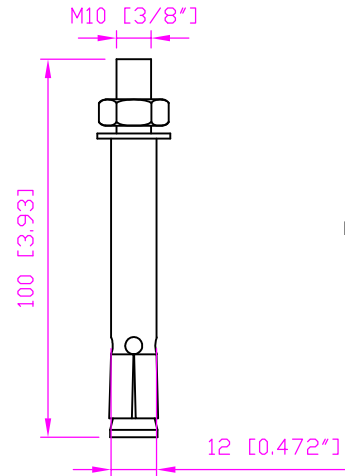


M8x30 Screw

M8x30 Screw



Hex Head Anchors with Sleeve

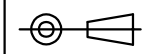


BON PERGOLA

UNIT
inch / mm

A4

DATE
2024/04/24



p. 5/5