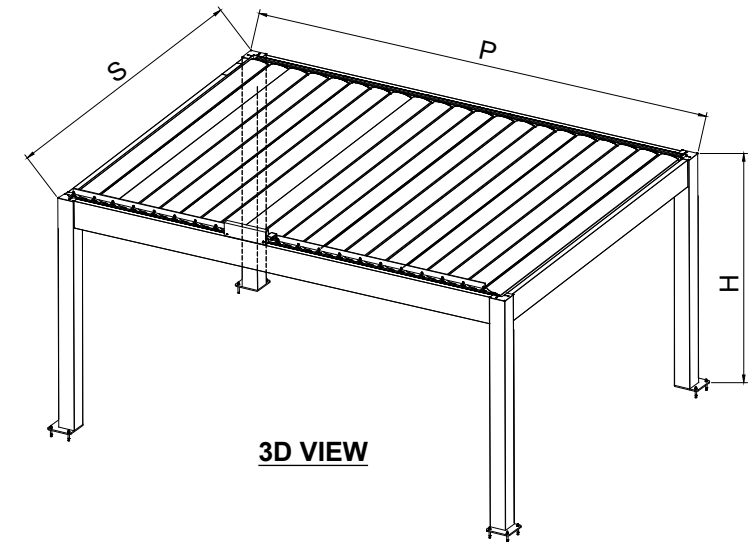
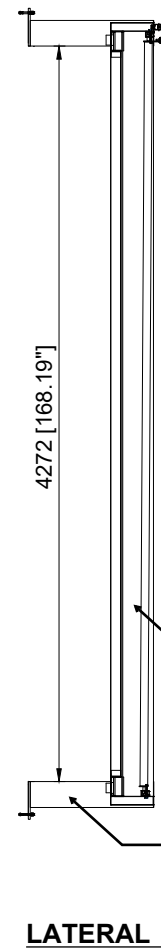
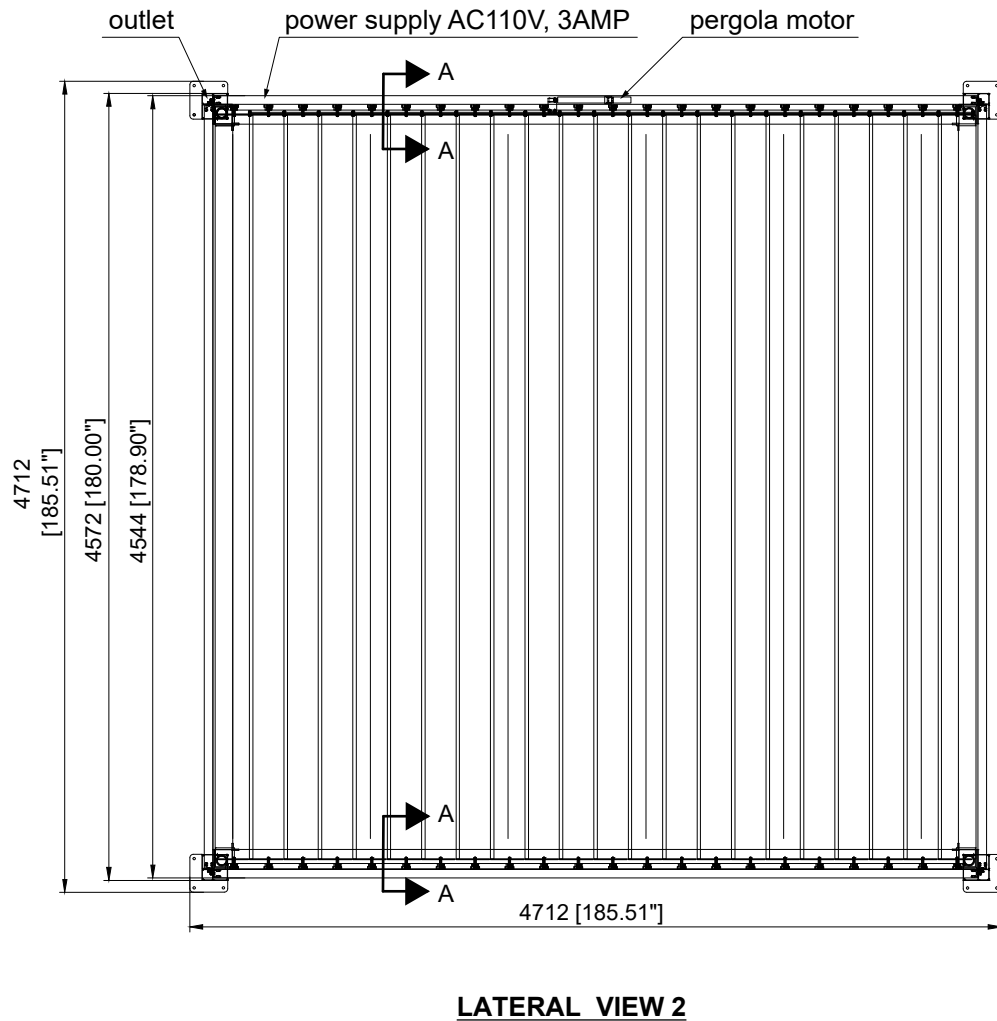
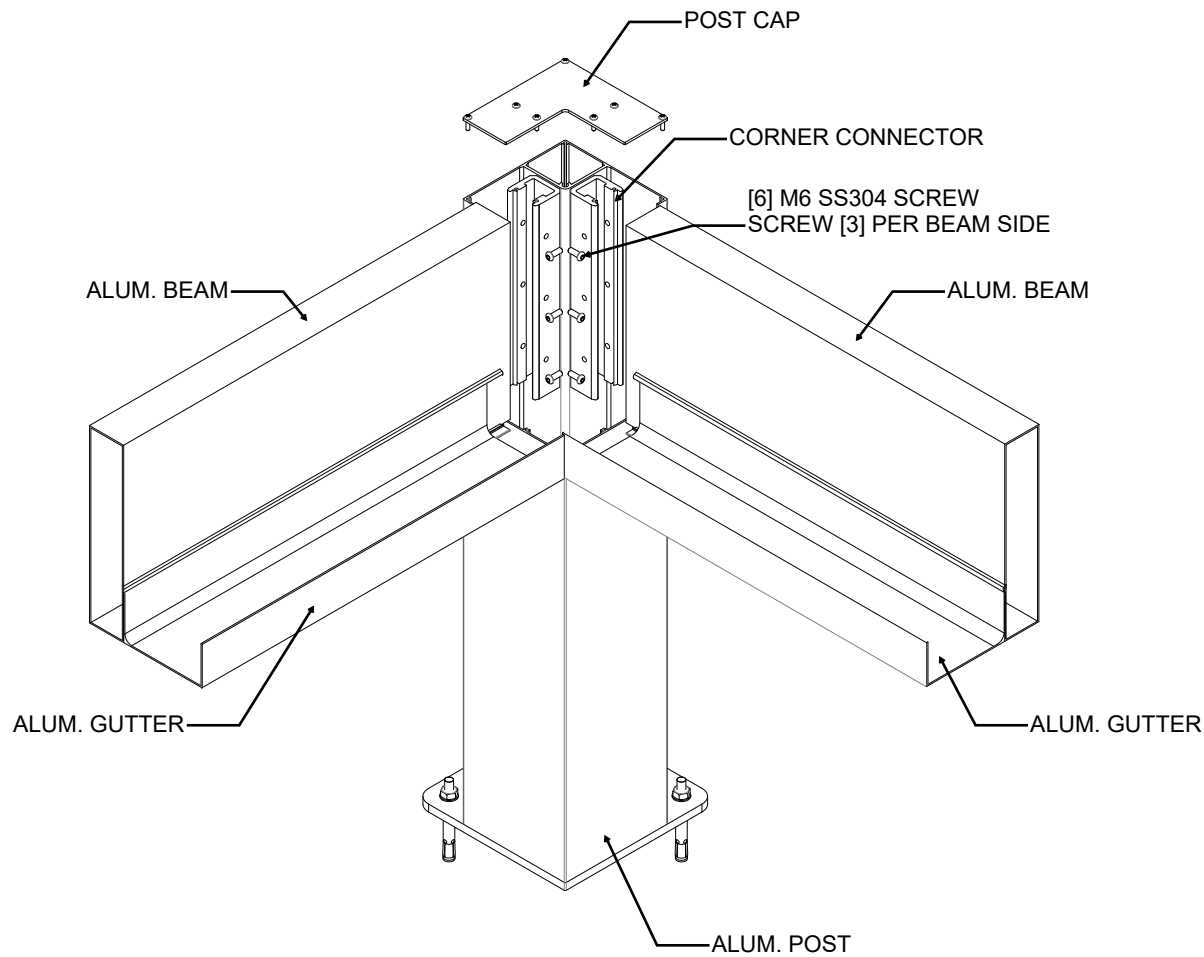


P = 4572[180"]

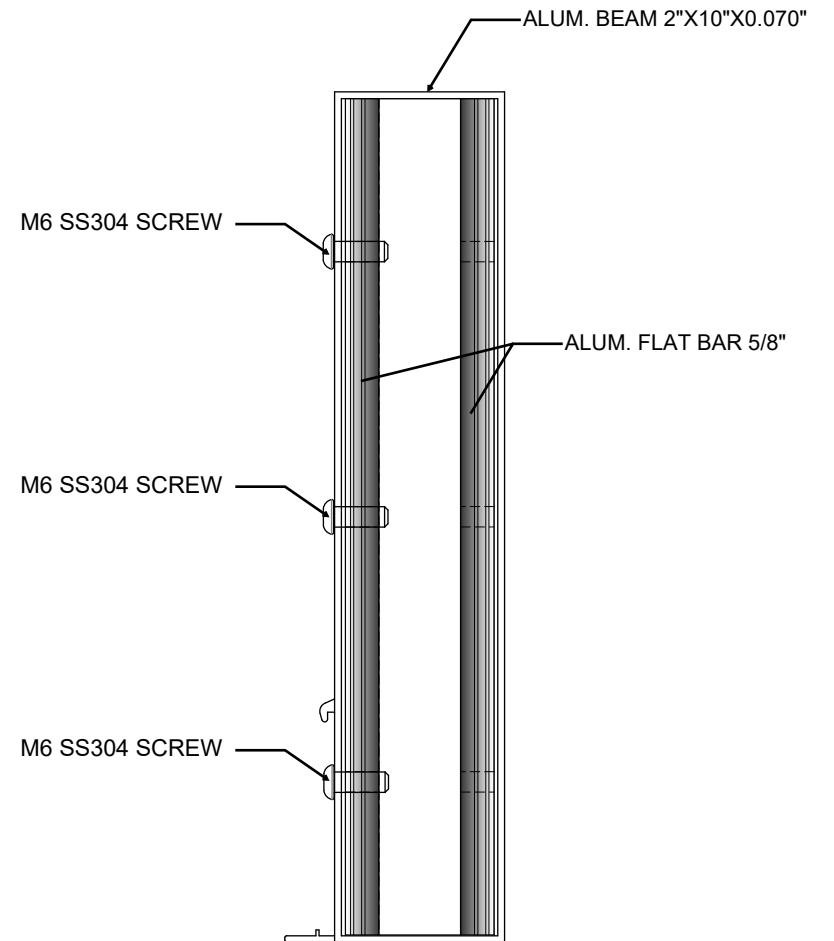
S = 4572[180"]

H = 2993[117.83"]

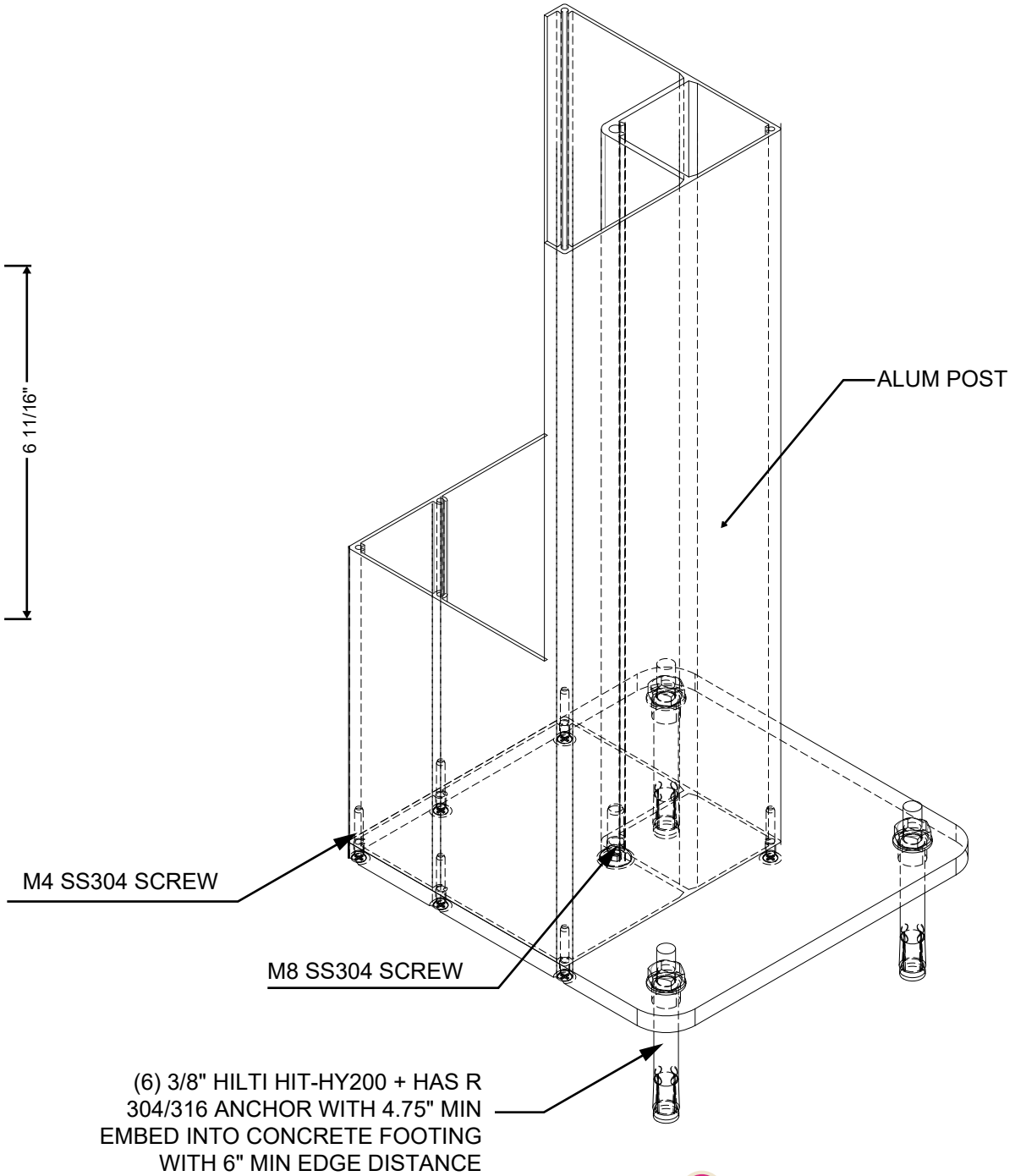
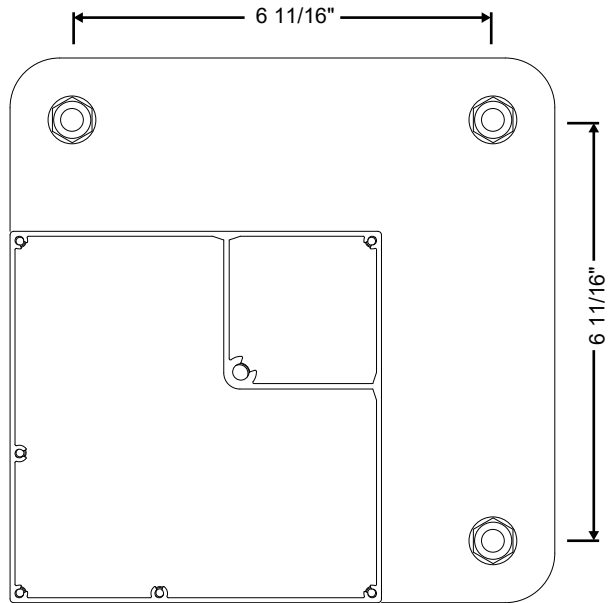




BEAM-POST CONNECTION



**SECTION A-A
LOUVER BEAM REINF. DETAIL**



ALL EXTRUSIONS ALUMINUM 6063 T5

1	2	3	4	5	6	7	8	9	10	11	12	13	14	15	16	17	18	19	20	21	22	
	■				■				■				■				■				■	

6 light strips in total

Blade	Blade	Gutter	Beam	Column	Footing Plate

EXTRUSIONS