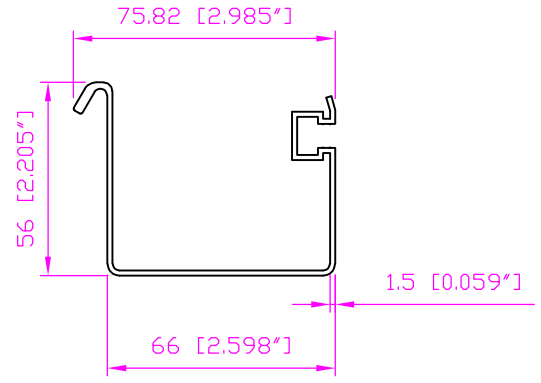
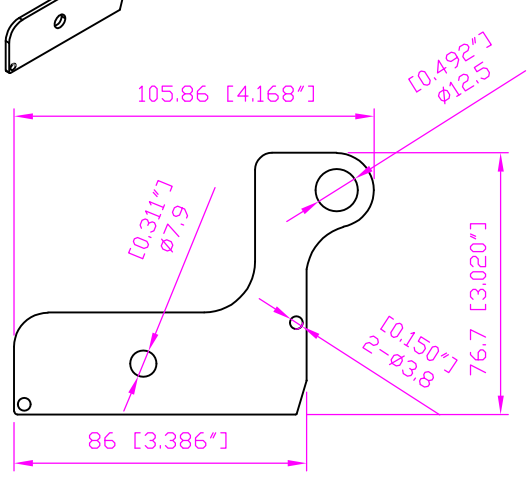
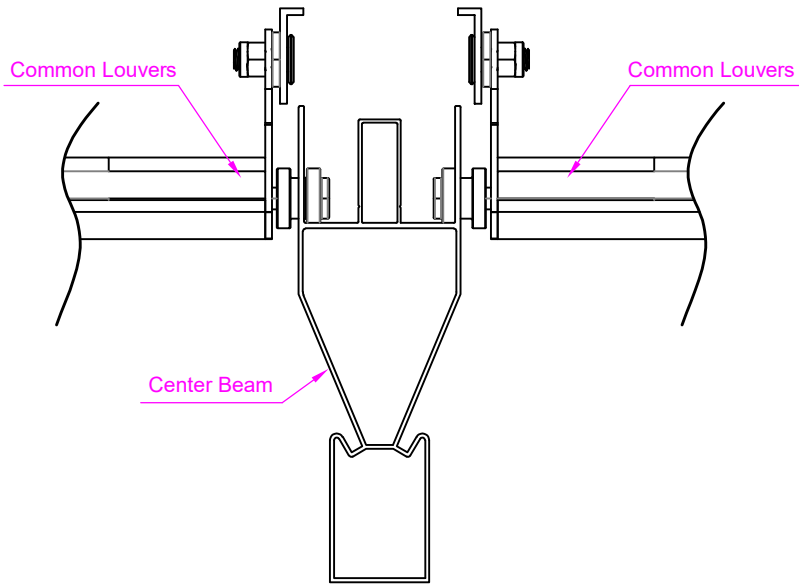


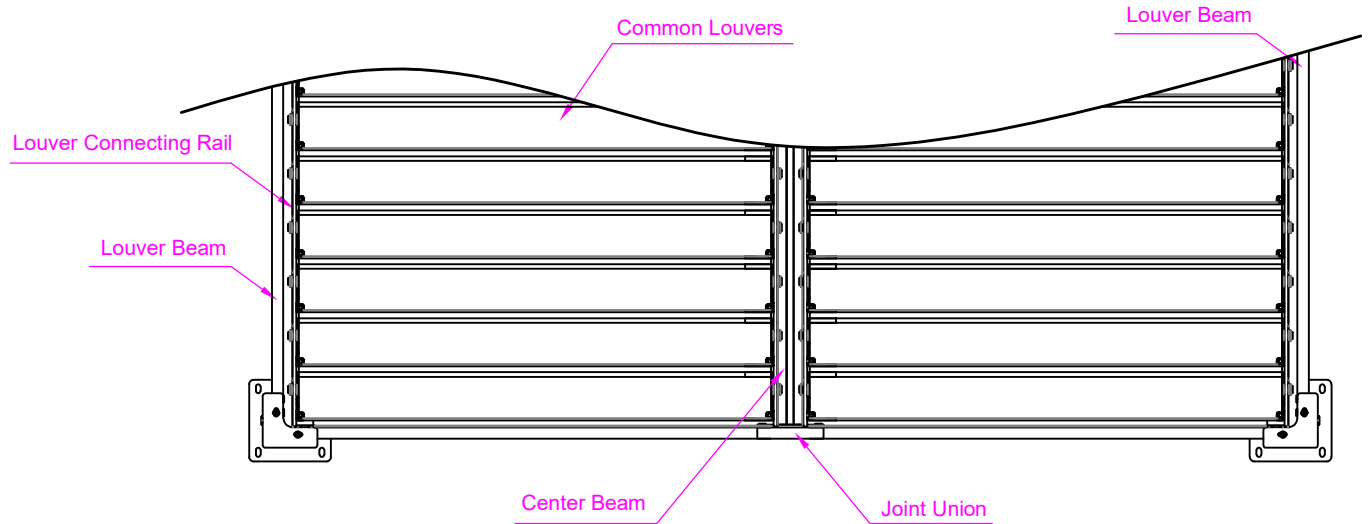
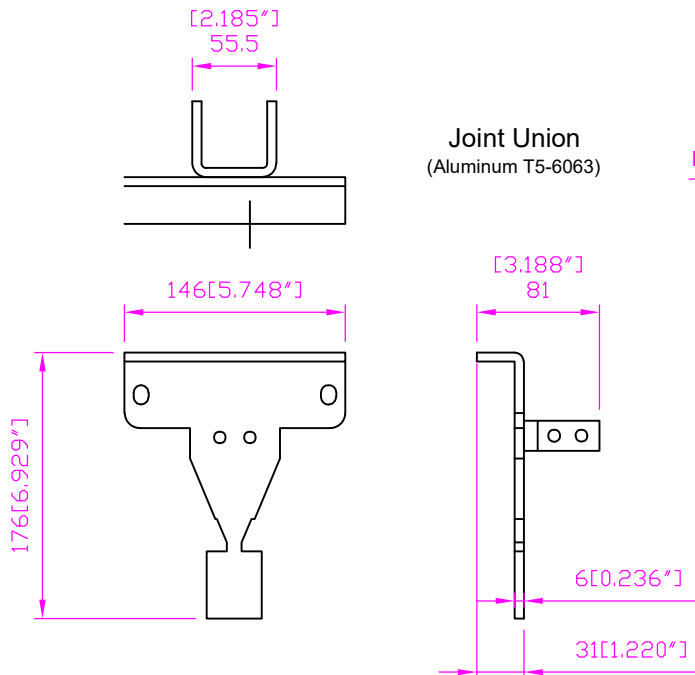
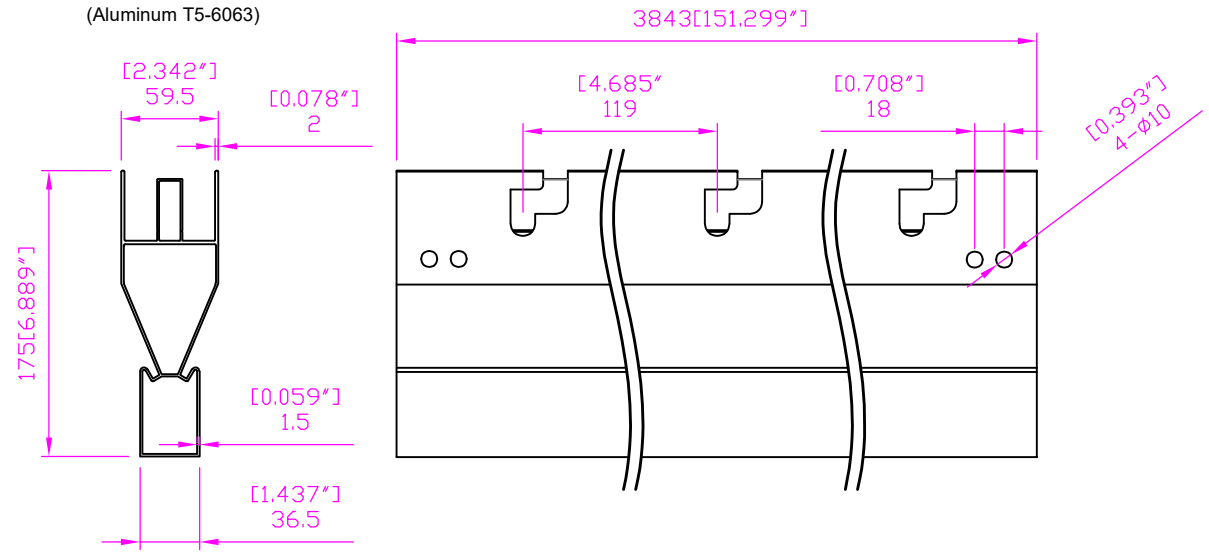
Common Louvers End Cap

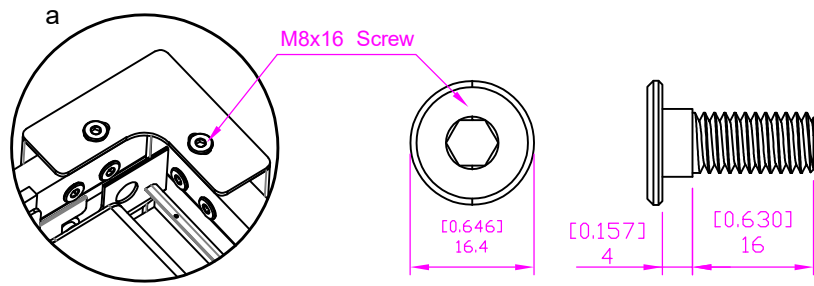
Gutter
(Aluminum T5-6063)



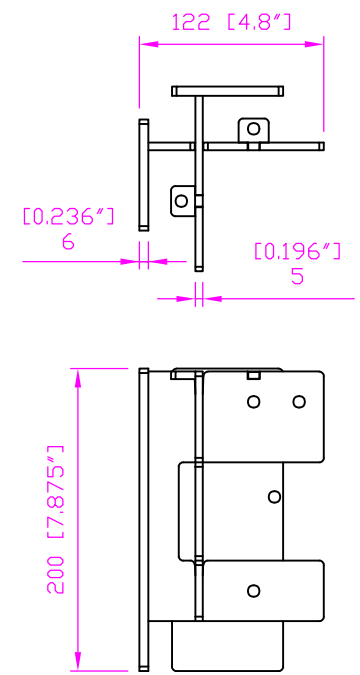
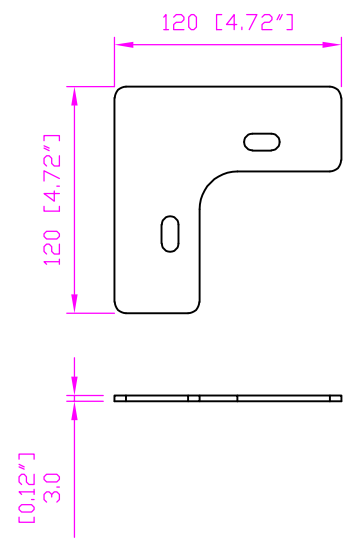


Center Beam
(Aluminum T5-6063)

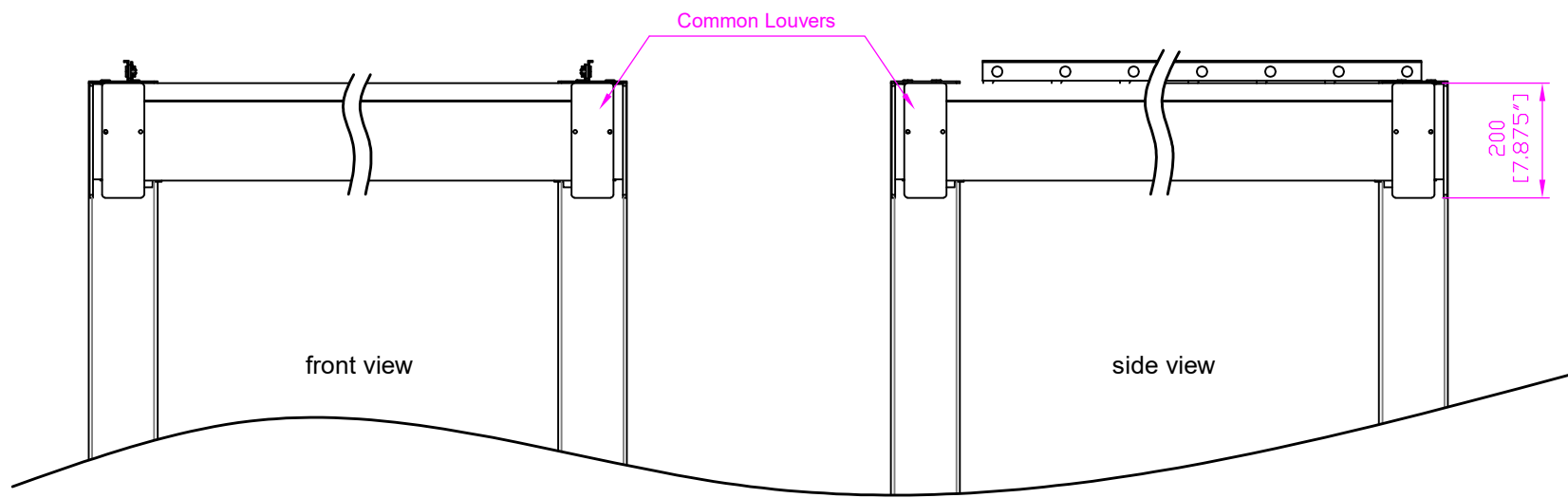
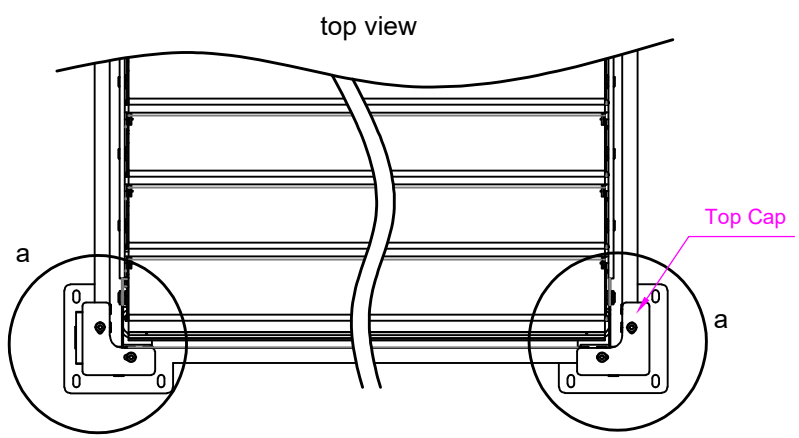
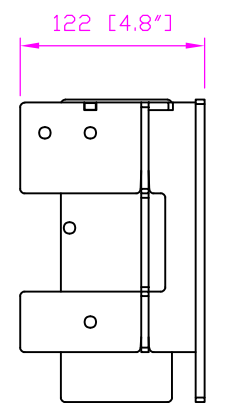


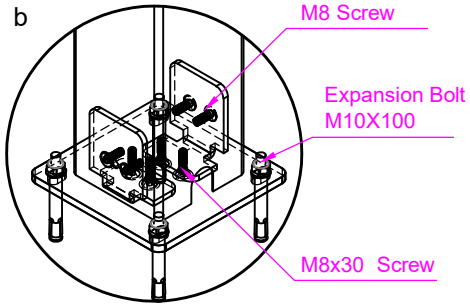


Top Cap
(Steel Q235B)

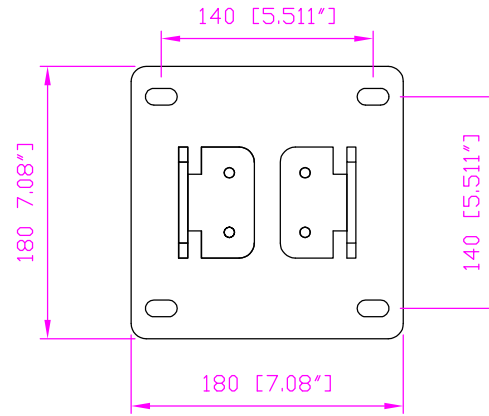


Corner Union
(Steel Q235B)

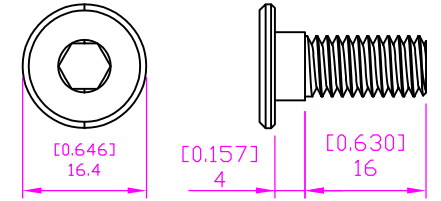




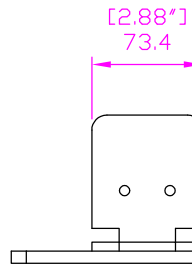
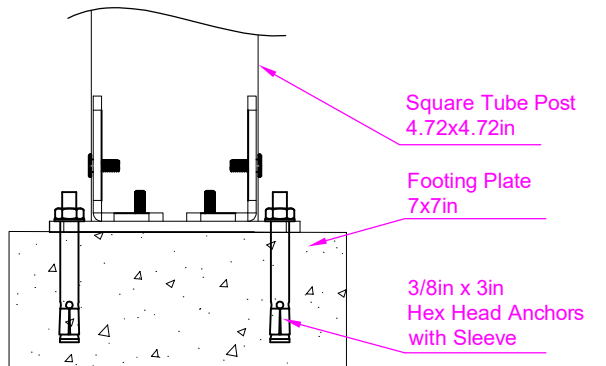
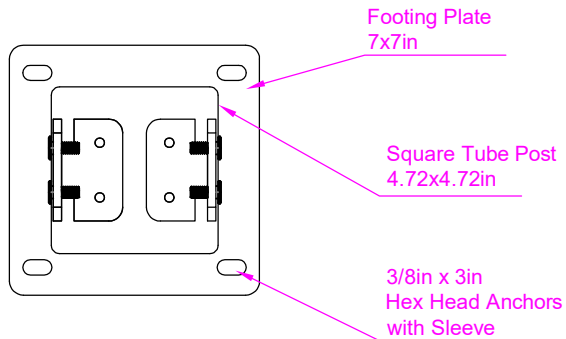
Footing Plate
(Steel Q235B)



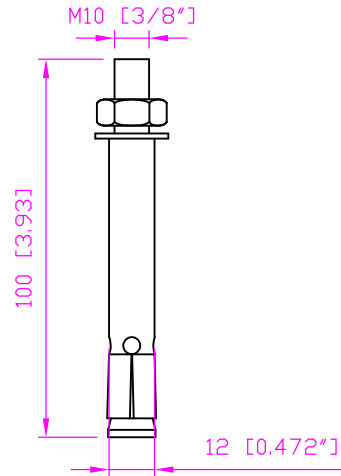
M8 Screw



Pillar Attachment



Hex Head Anchors with Sleeve



M8x30 Screw

