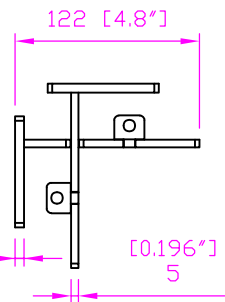
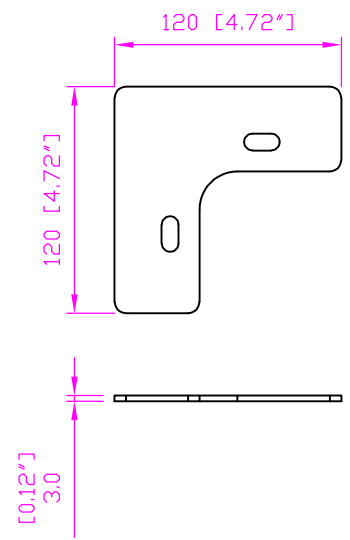
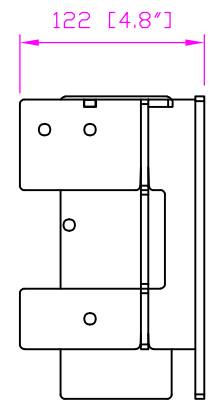
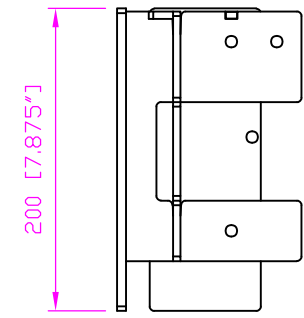
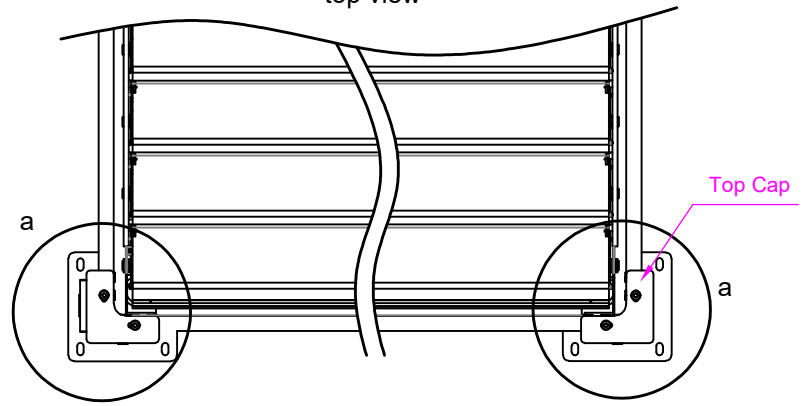


top view

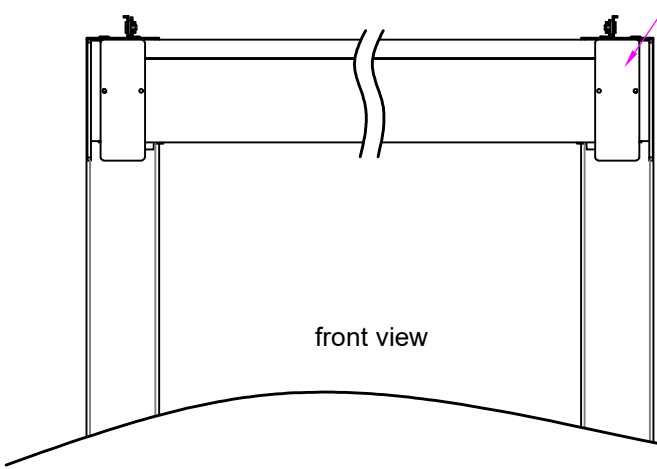
Top Cap  
(Steel Q235B)



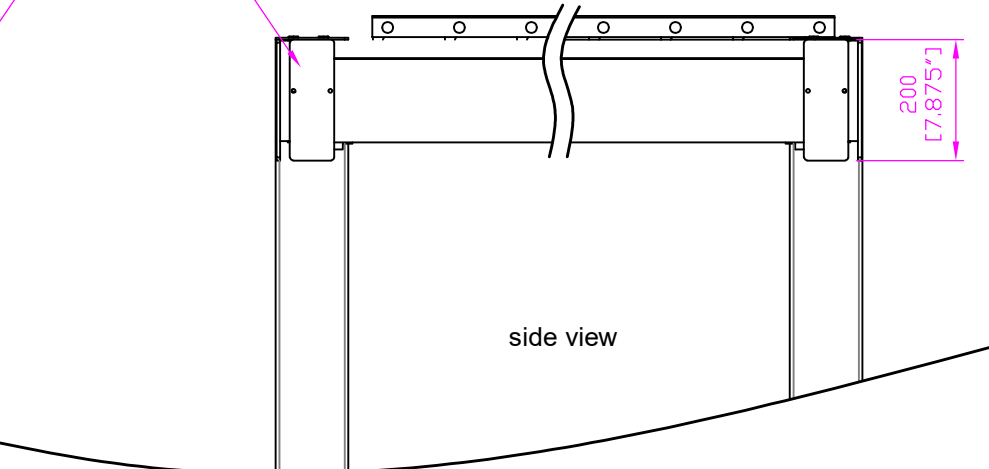
Corner Union  
(Steel Q235B)



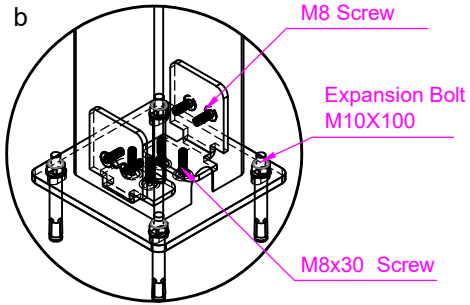
Common Louvers



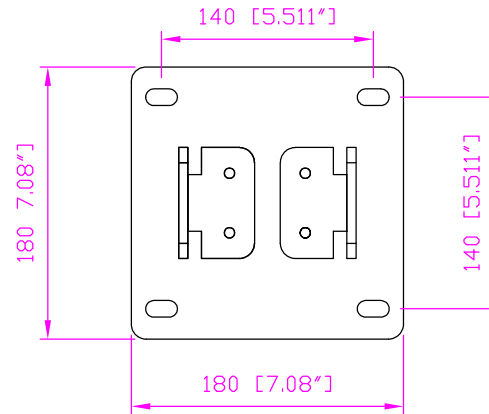
front view



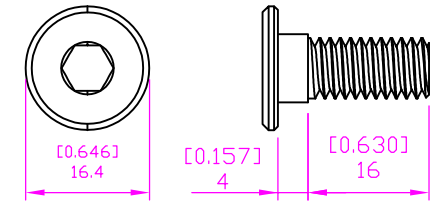
side view



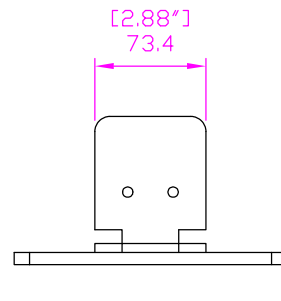
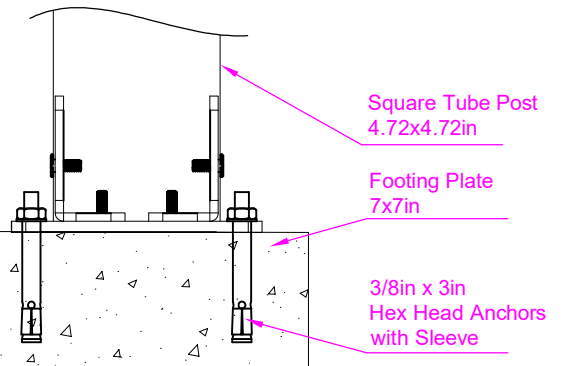
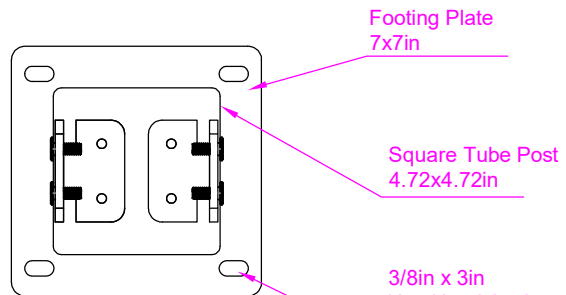
Footing Plate  
(Steel Q235B)



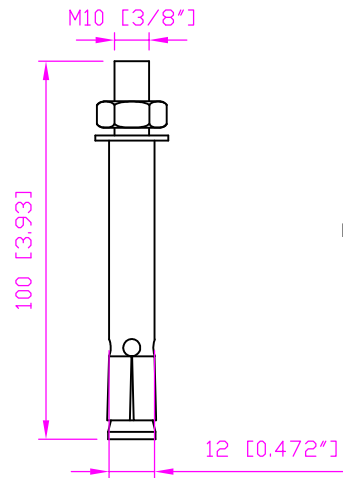
M8 Screw



Pillar Attachment



Hex Head Anchors with Sleeve



M8x30 Screw

