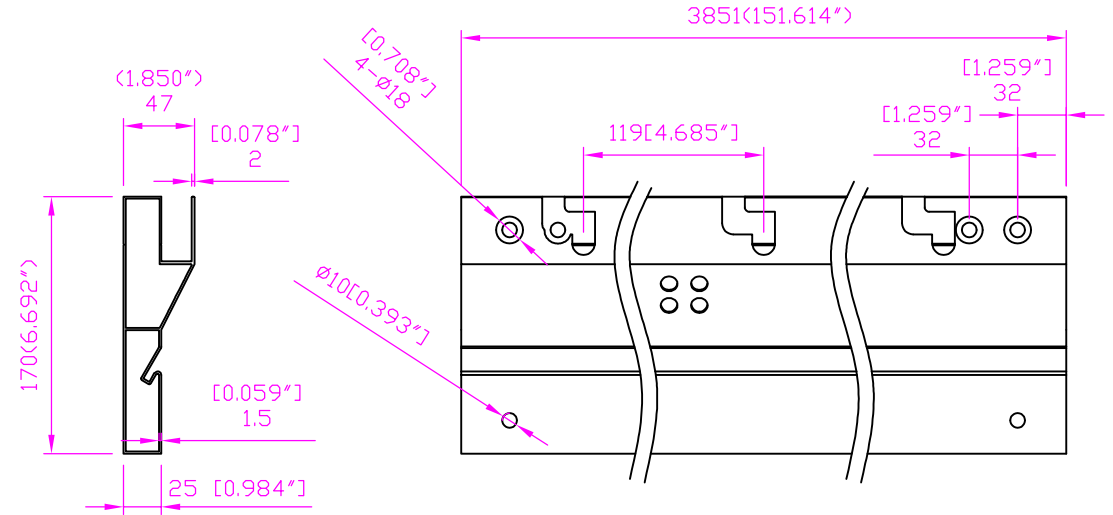
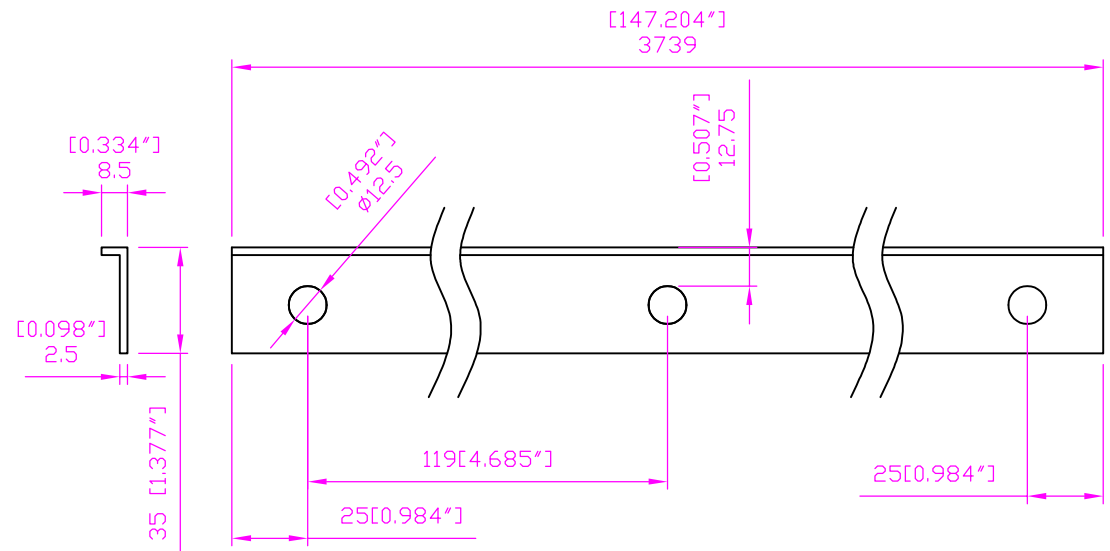


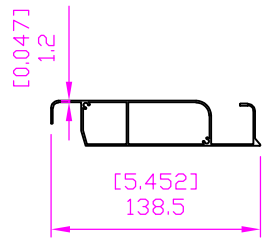
Louver Beam
(Aluminum T5-6063)



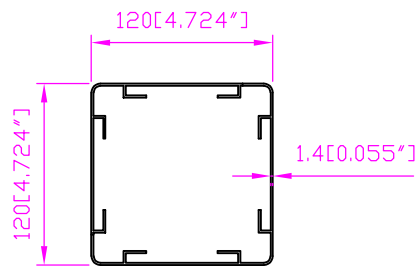
Louver Connecting Rail
(Aluminum T5-6063)

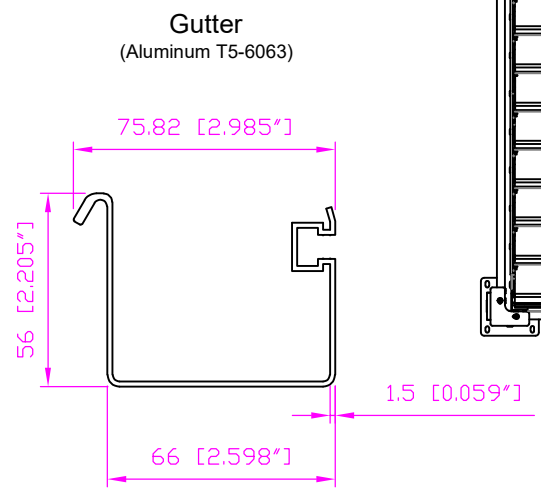
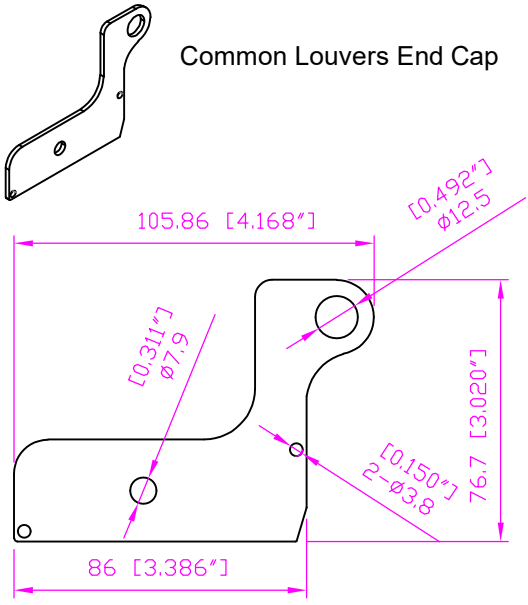
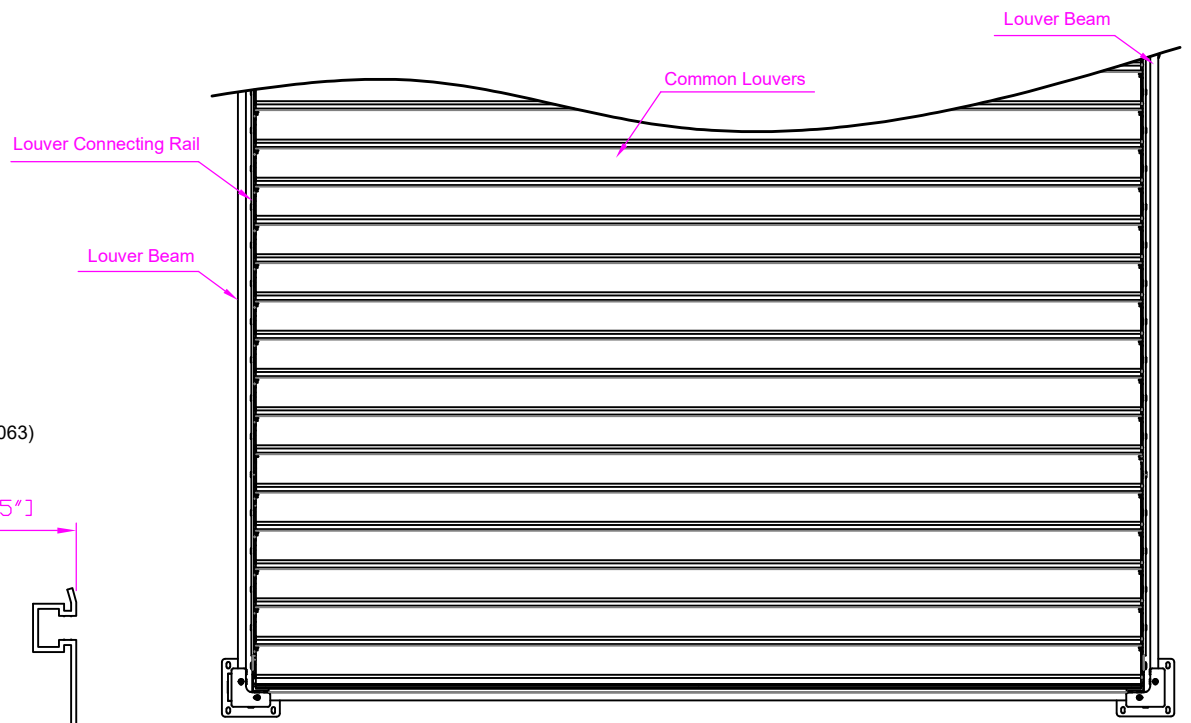
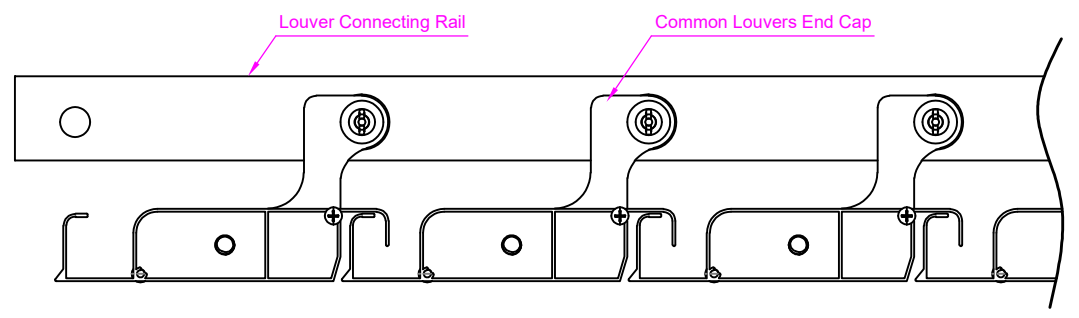
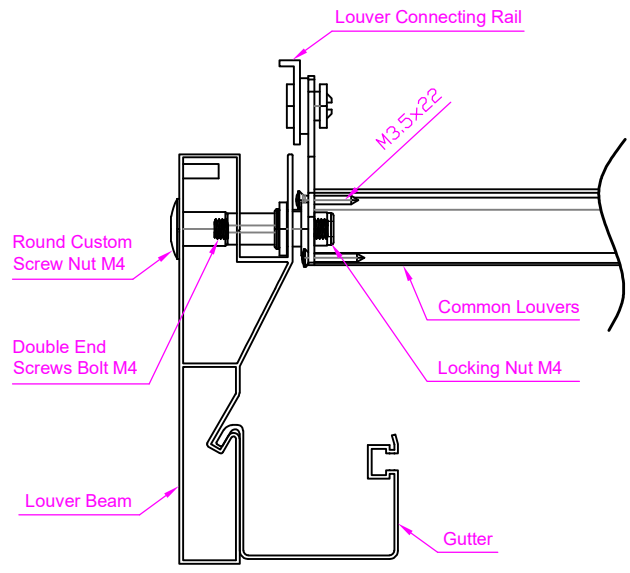


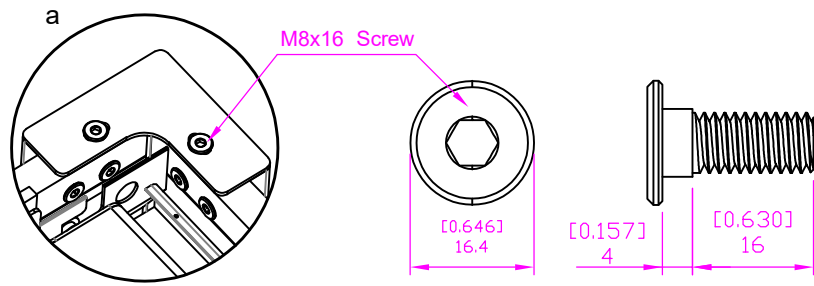
Common Louvers
(Aluminum T5-6063)



Pillar
(Aluminum T5-6063)

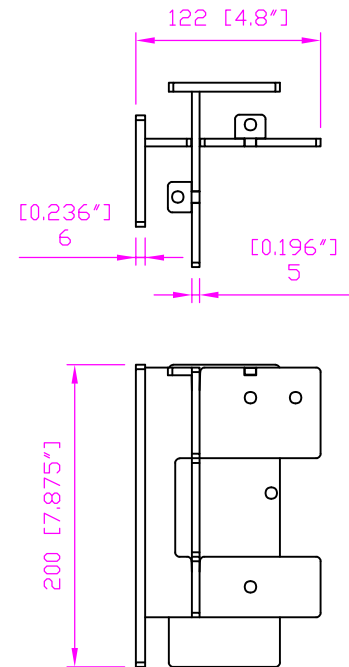
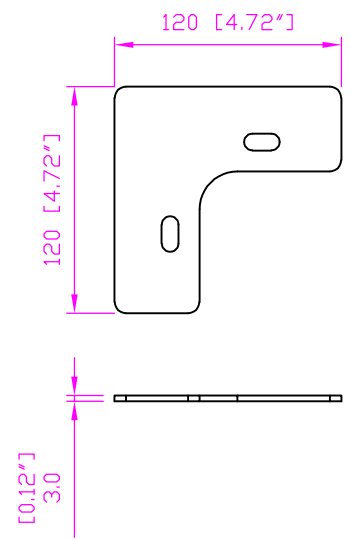




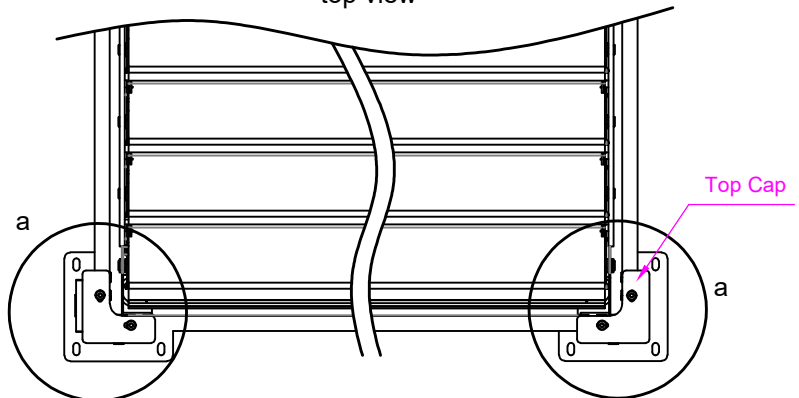


top view

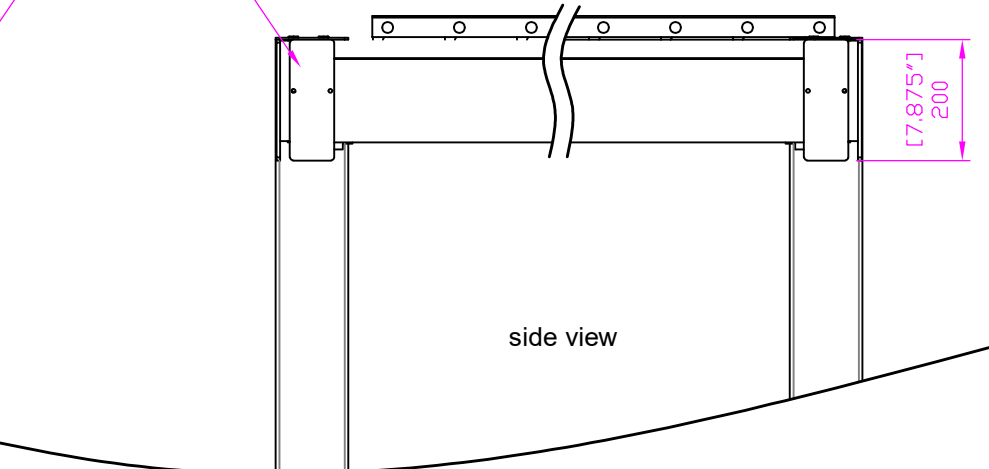
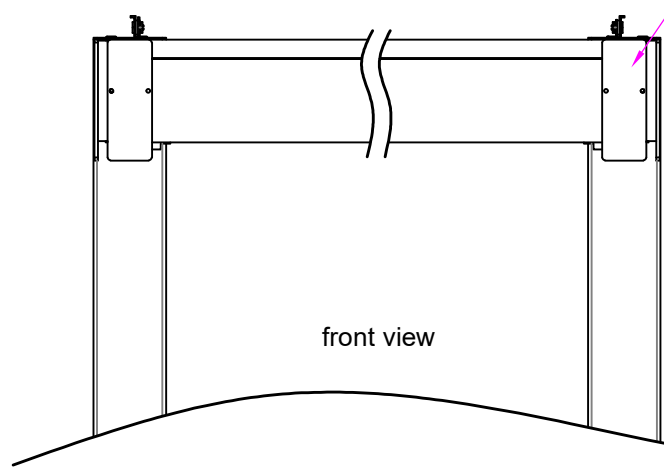
Top Cap
(Steel Q235B)

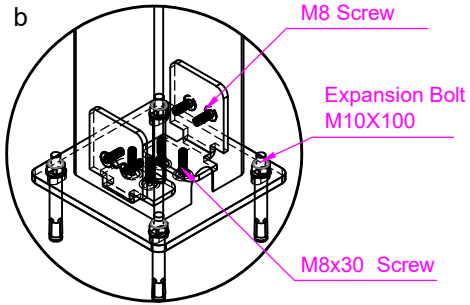


Corner Union
(Steel Q235B)

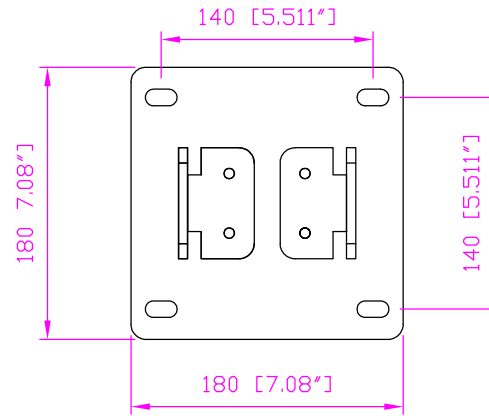


Common Louvers

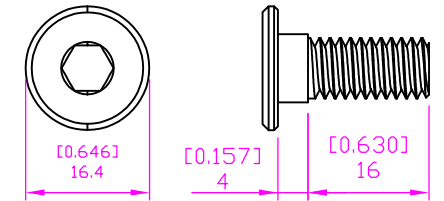




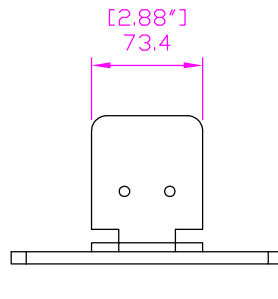
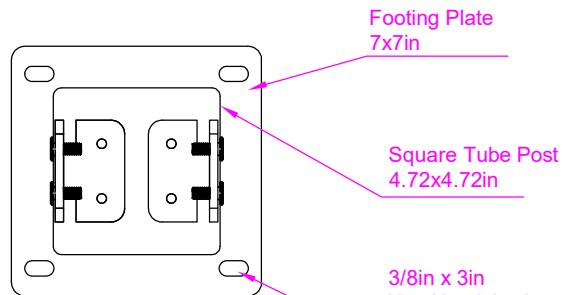
Footing Plate
(Steel Q235B)



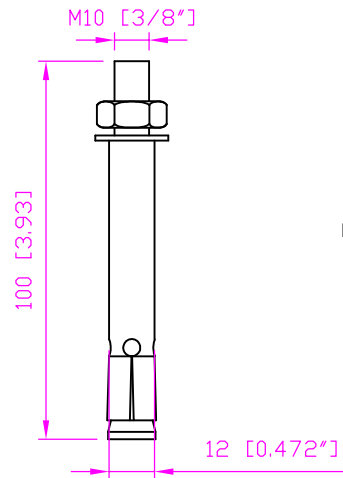
M8 Screw



Pillar Attachment



Hex Head Anchors with Sleeve



M8x30 Screw

