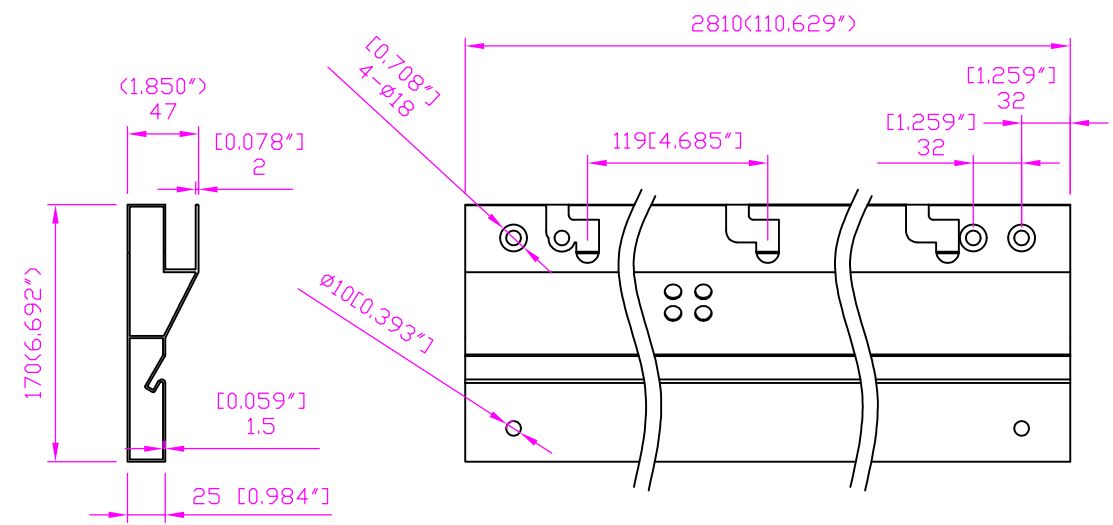
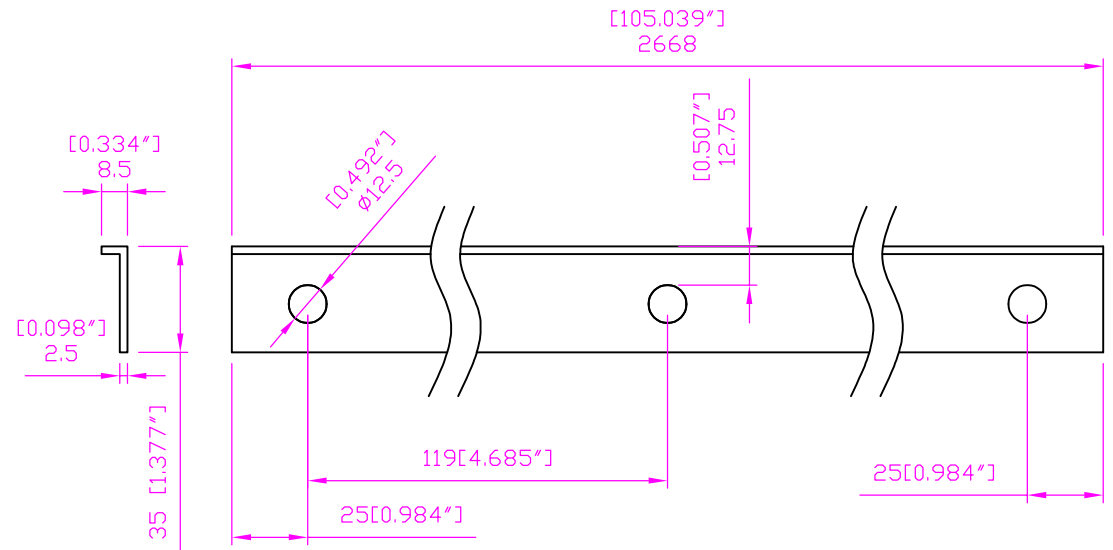


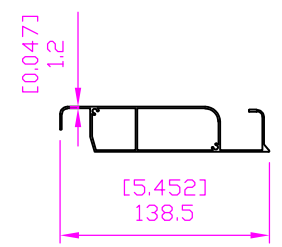
Louver Beam
(Aluminum T5-6063)



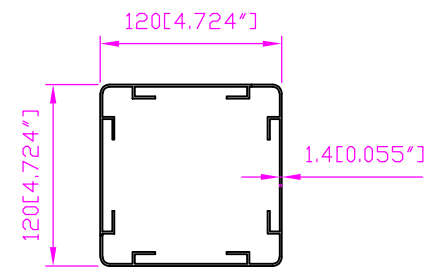
Louver Connecting Rail
(Aluminum T5-6063)

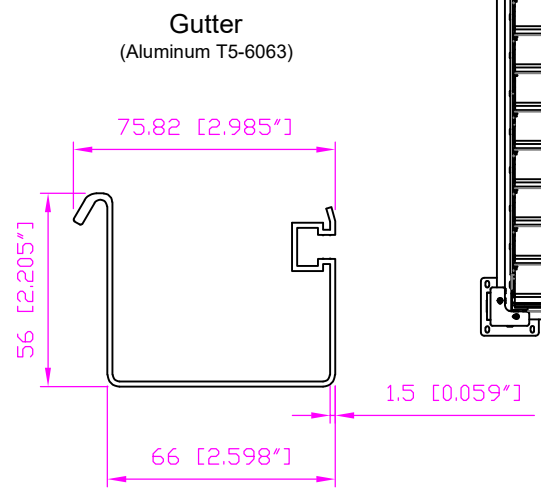
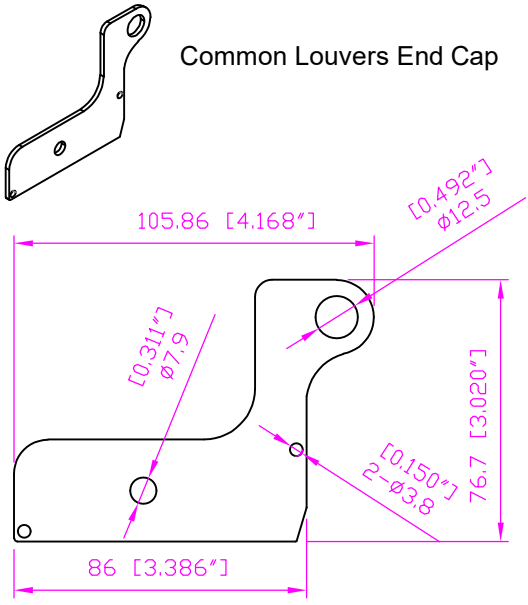
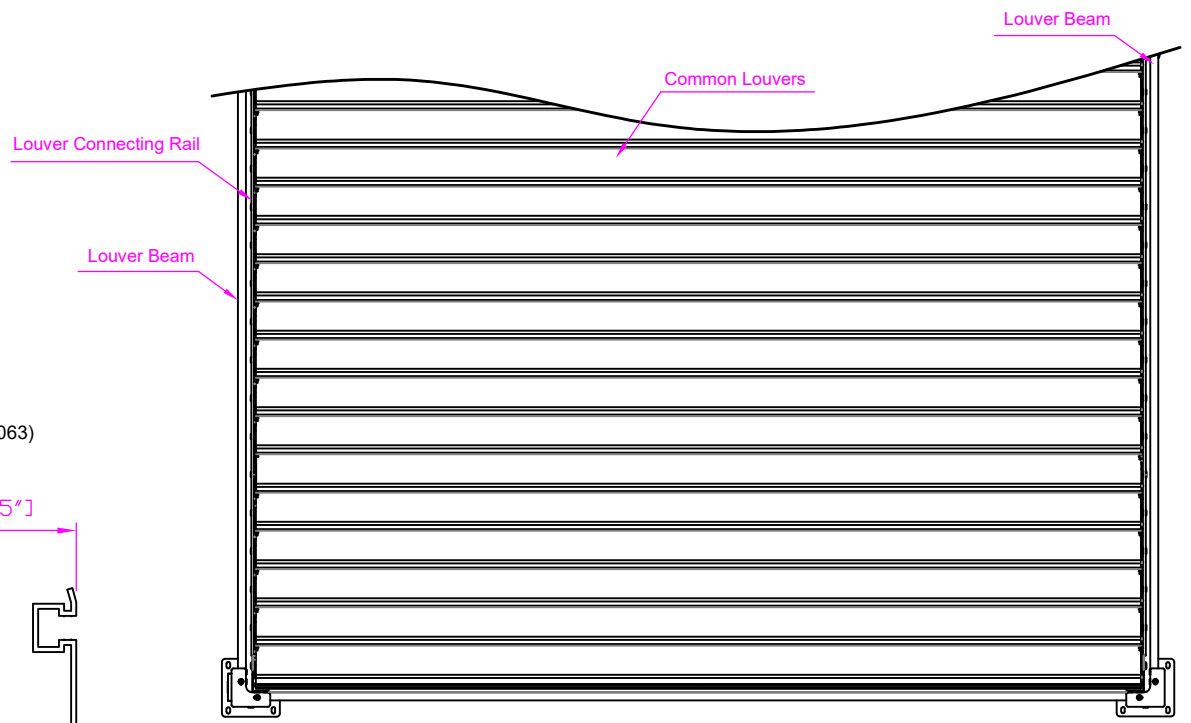
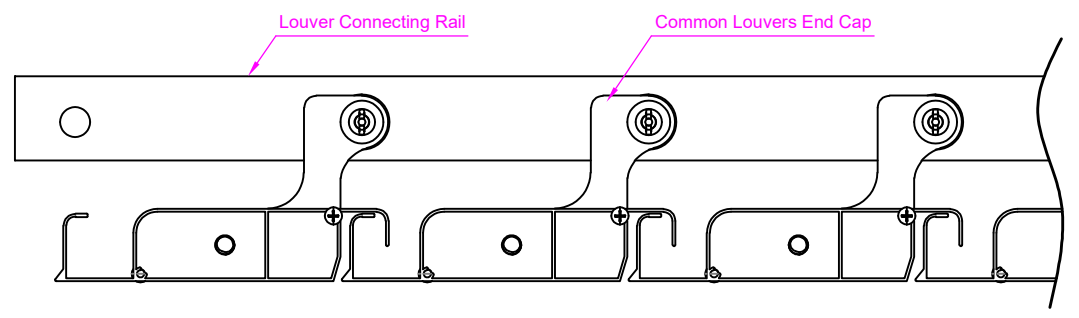
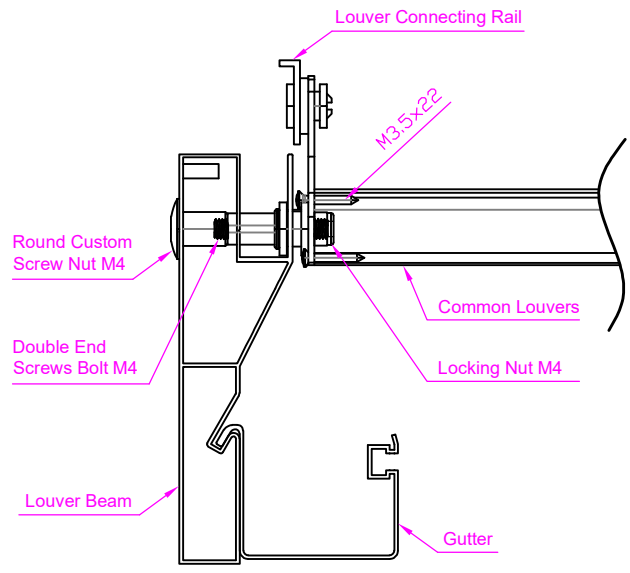


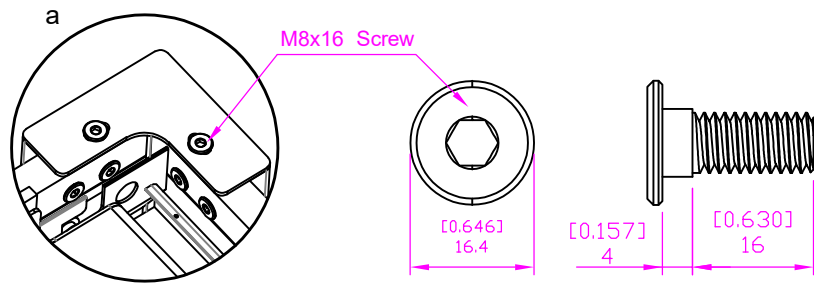
Common Louvers
(Aluminum T5-6063)



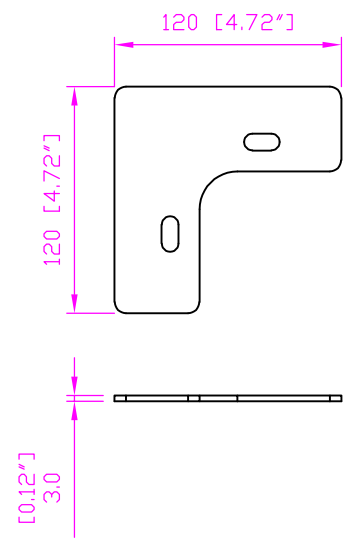
Pillar
(Aluminum T5-6063)



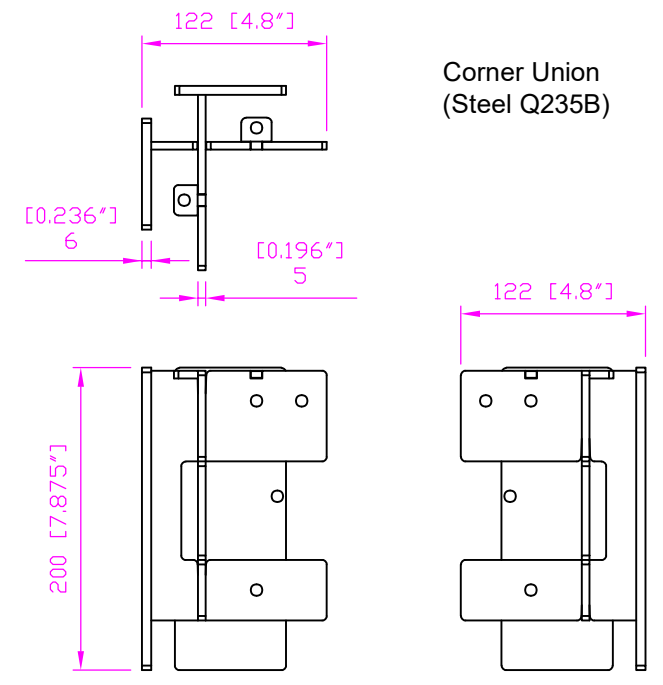




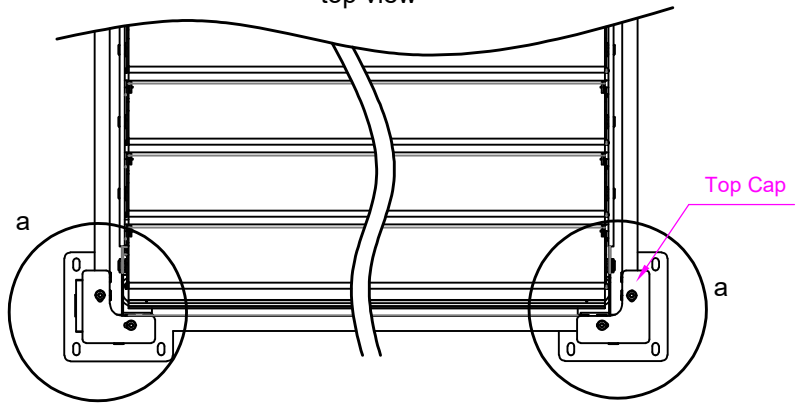
Top Cap
(Steel Q235B)



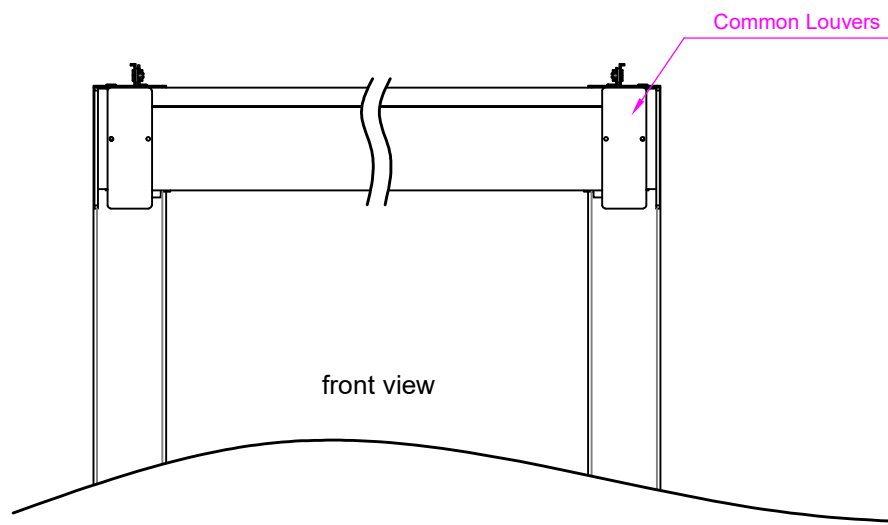
Corner Union
(Steel Q235B)



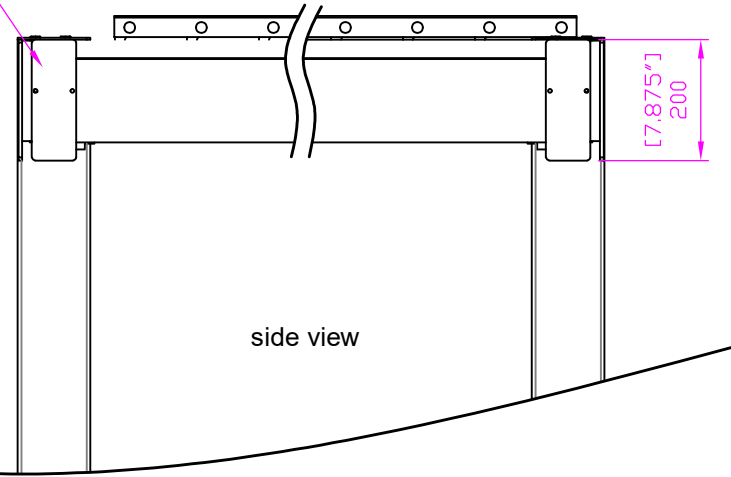
top view

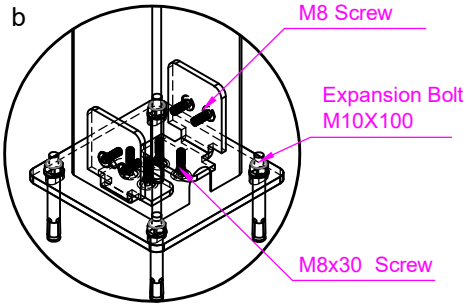


front view

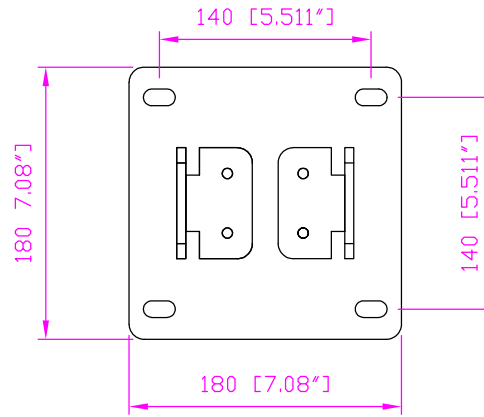


side view

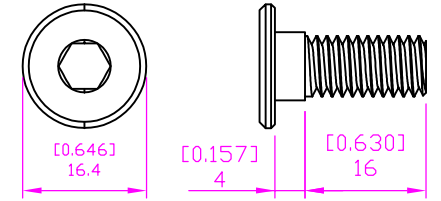




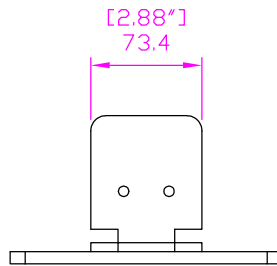
Footing Plate
(Steel Q235B)



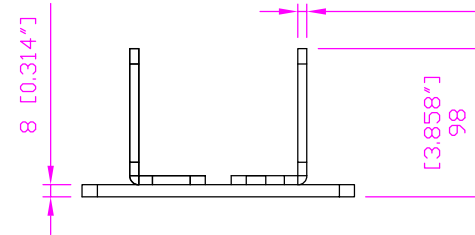
M8 Screw



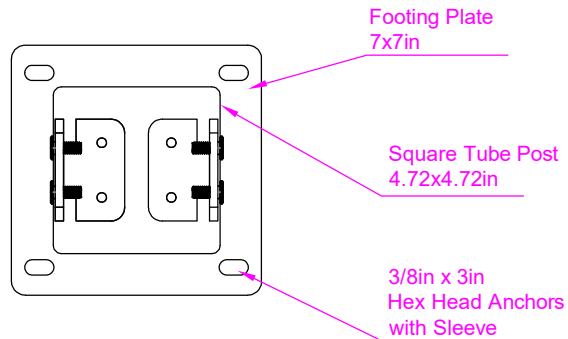
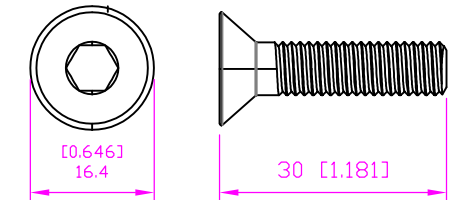
Pillar Attachment



6 [0.023\"]



M8x30 Screw



Hex Head Anchors with Sleeve

