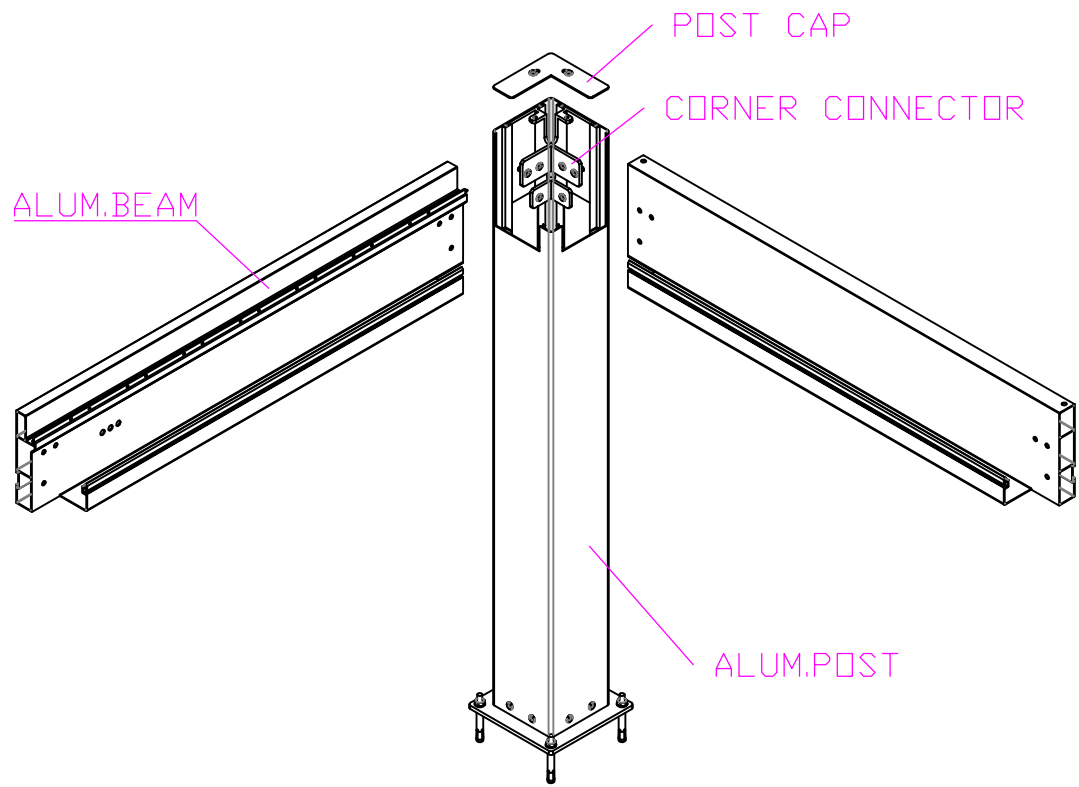


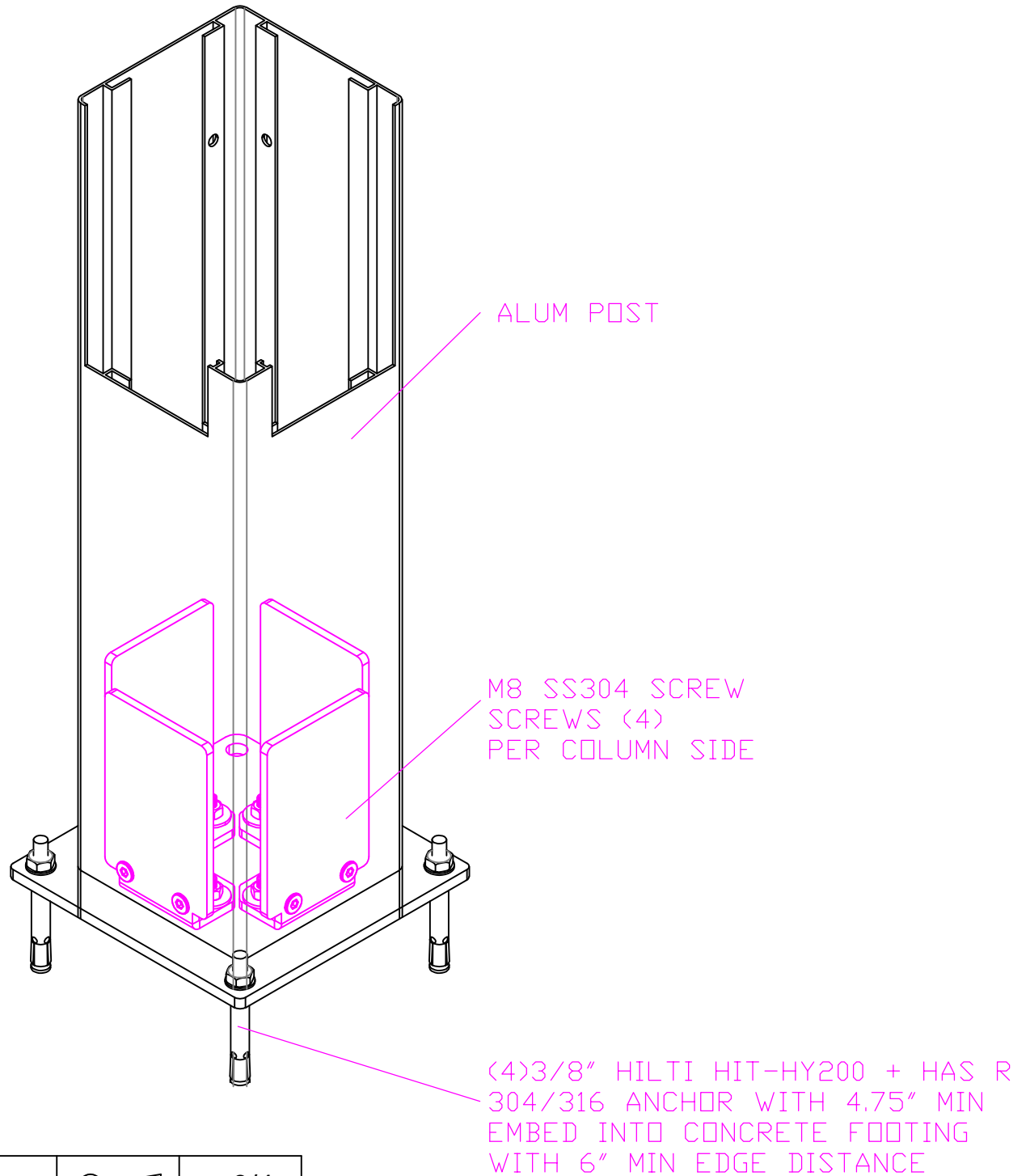
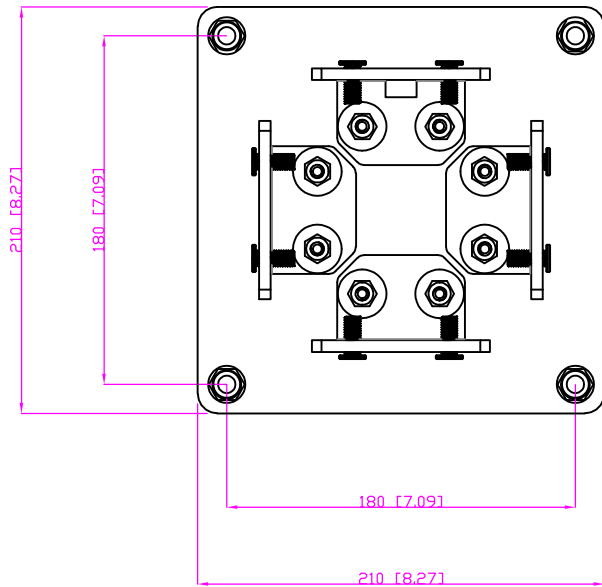
P = 5755 [226.57]
S = 4005 [157.68]
H = 2685.5 [105.73]



BEAM-POST CONNECTION



SECTION A-A
LOUVER BEAM REINF. DETAIL

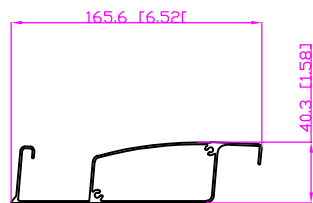


ALL EXTRUSIONS ALUMINUM 6063 T5

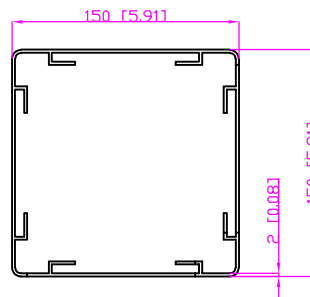
1:1



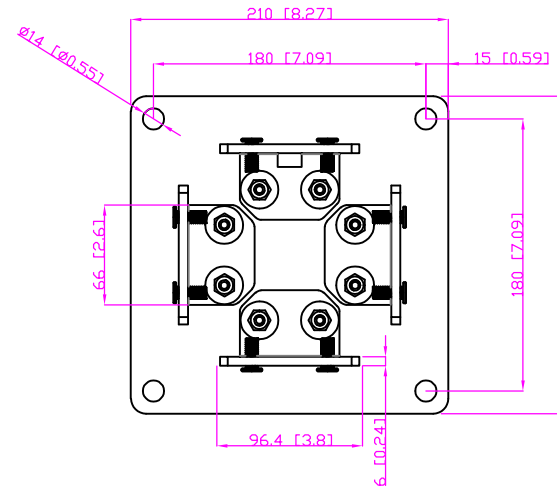
Blade



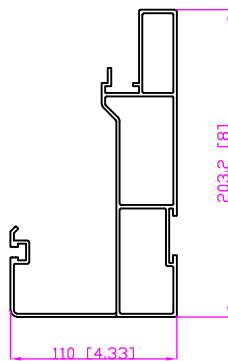
Column



Footing Plate



Louver Beam



Beam

