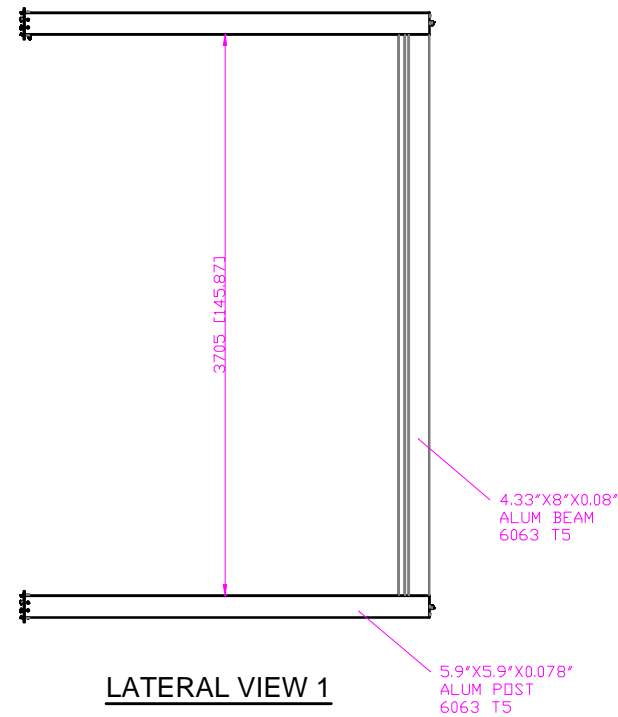
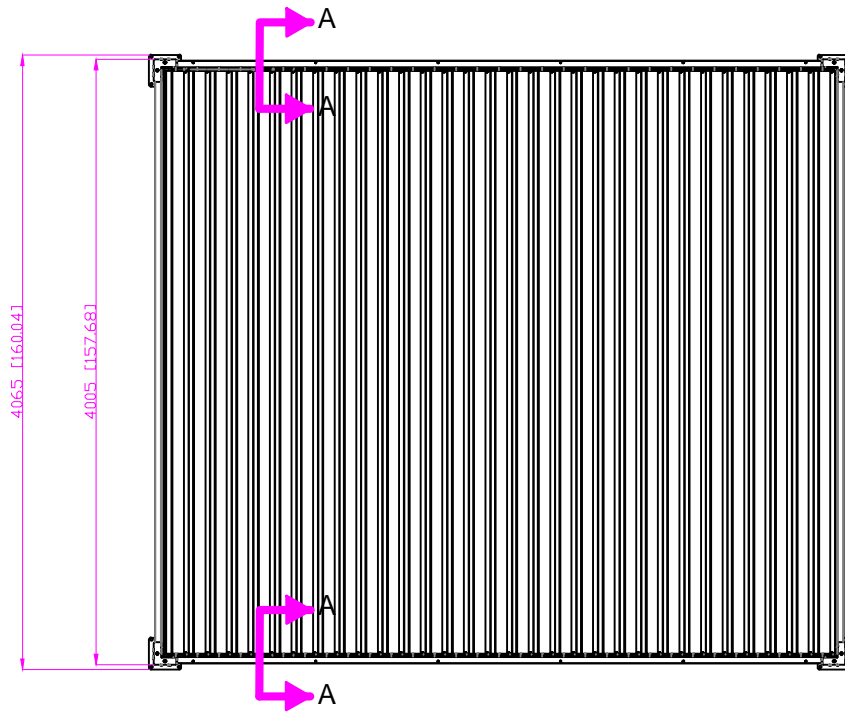
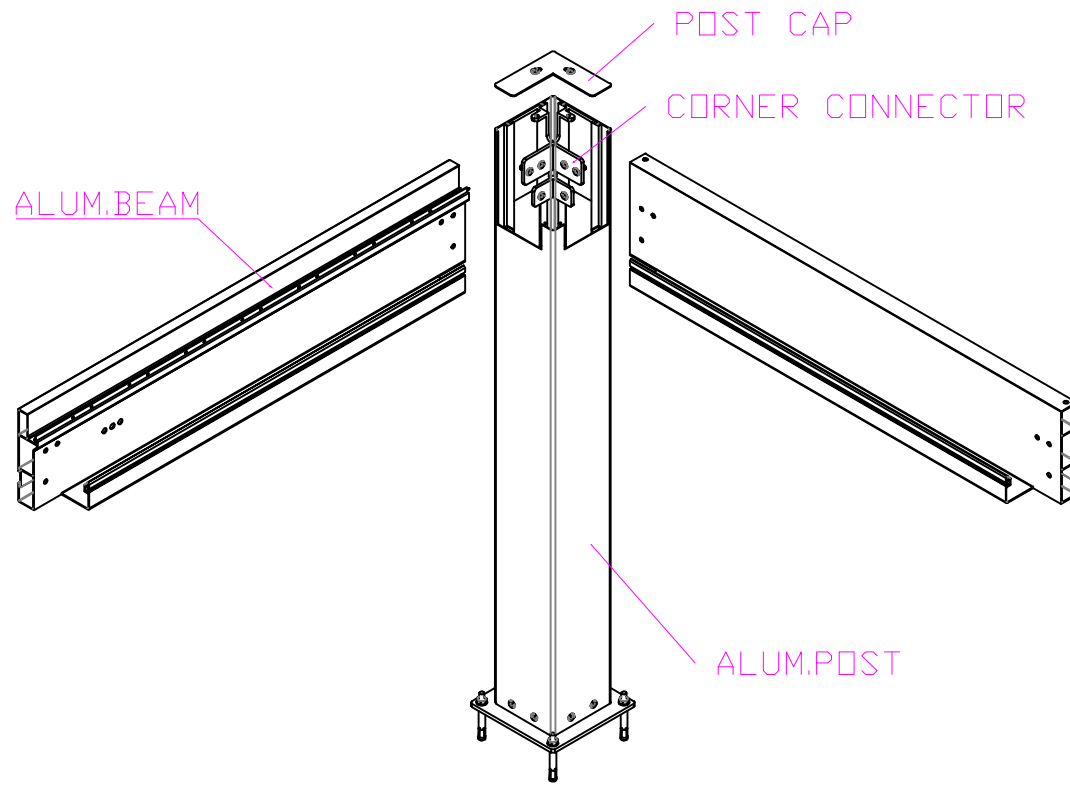
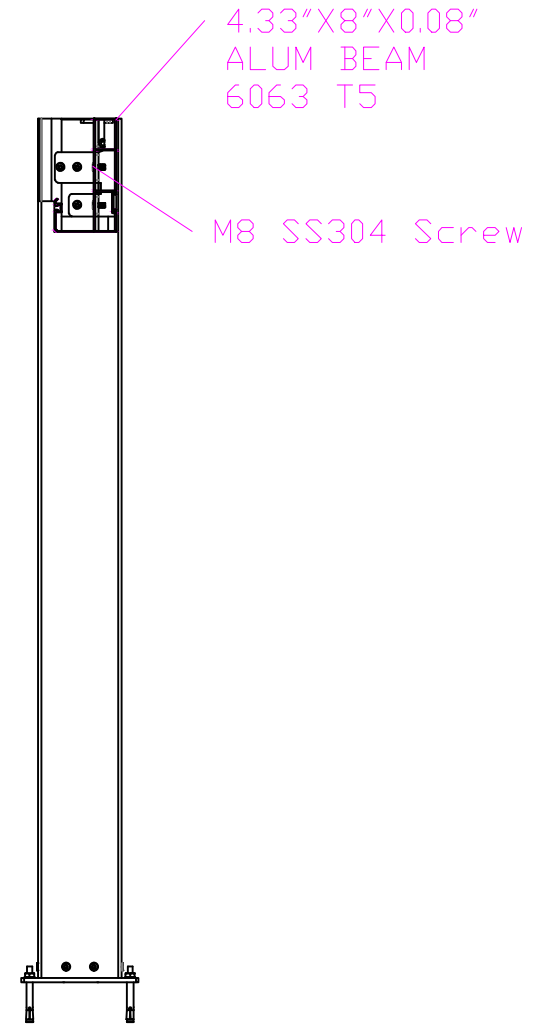


P = 4572 [180]  
S = 4005 [157.68]  
H = 2685.5 [105.73]

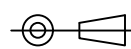


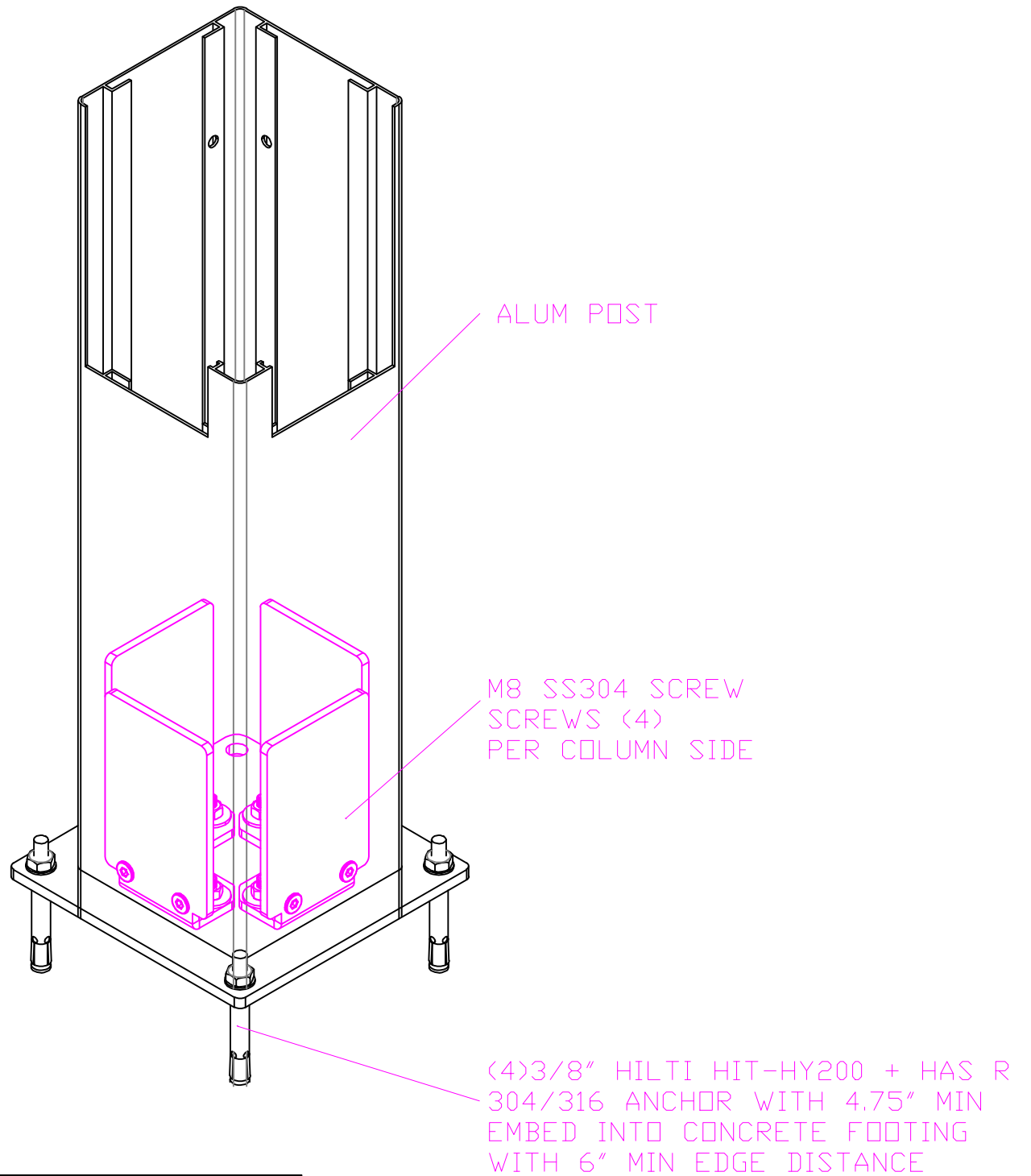
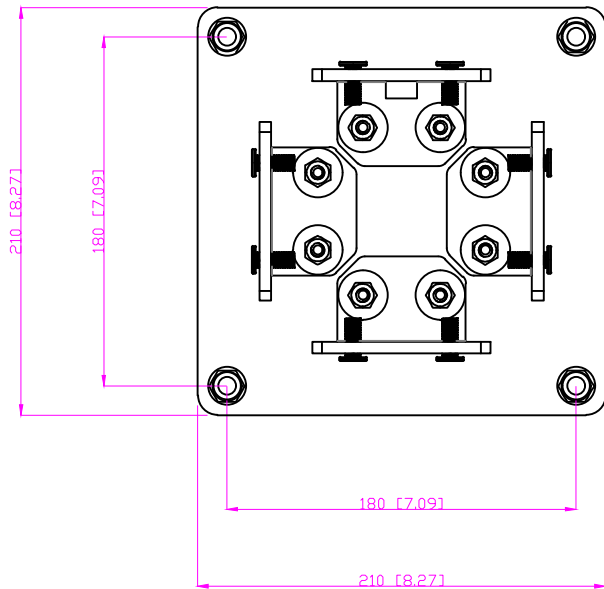


BEAM-POST CONNECTION



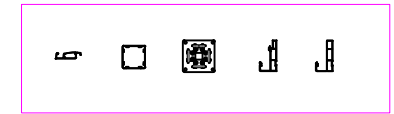
SECTION A-A  
LOUVER BEAM REINF. DETAIL



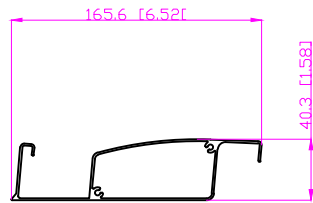


# ALL EXTRUSIONS ALUMINUM 6063 T5

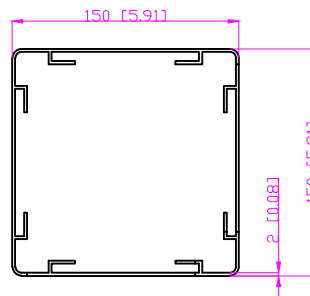
1:1



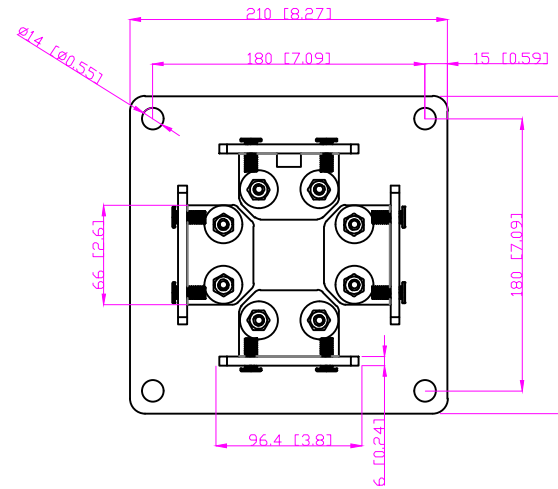
Blade



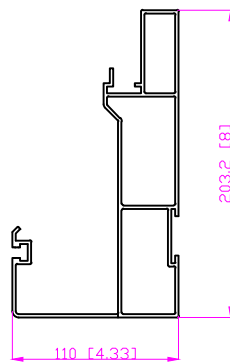
Column



Footing Plate



Louver Beam



Beam

